

PARTS LIST

J I G

XP-141E

XP-241E

XP-341E

XP-142E

XP-242E

Explanation of the Ranking Used in the J I G

PTS-JIGXP-02JE

FUJI Machine Mfg.Co.,Ltd.

治具部品はその都度製作のため製作期間が必要になります。

The ordered jig must be specially made, and as a result, additional time is required before it can be supplied.

治具 パーツリストの ランク付について

- A..... 日常のメンテナンス作業の中で、必要と考えられる治工具類。
(ユーザー向けスクーリングを受講したレベルを対象)
- B..... 日常メンテナンスする個所ではないが、比較的軽度のトラブルにより、調整・確認・固有値測定等を行う場合に必要と考えられる治工具類。
(ディーラー向スクーリング<レベル2>を受講したレベルを対象)
- C..... 重度のトラブルでディーラー又はFUJIスタッフが出張して交換あるいは調整等を行う場合に必要と考えられる治工具類。
本機を製造する中で、組付等に使用する治工具類を主体としており、ユーザー先での使用頻度は少ないと思われる。
(ディーラー・FUJIスタッフの中でも、ベテランあるいは専門的知識を持ったレベルを対象)

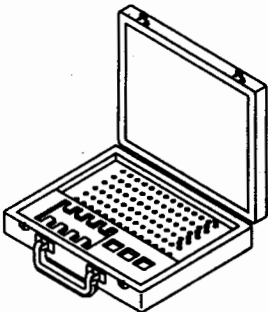
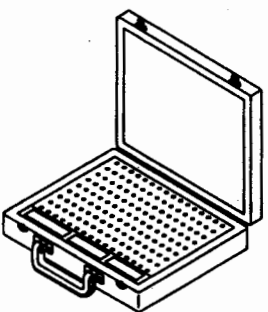
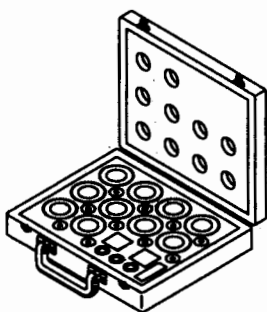
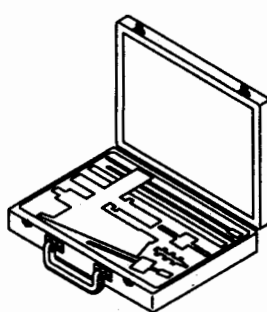
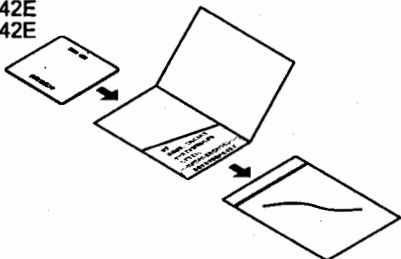
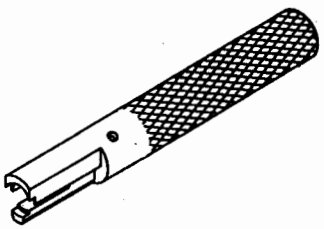
02JE発行：2003年 10月

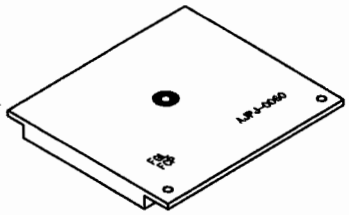
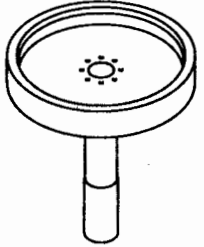
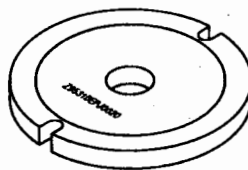
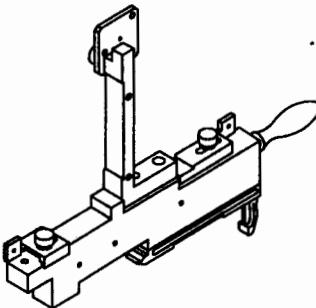
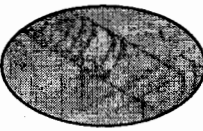
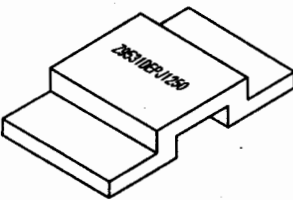
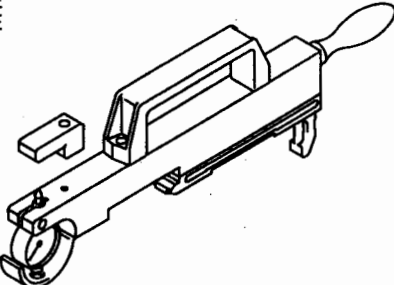
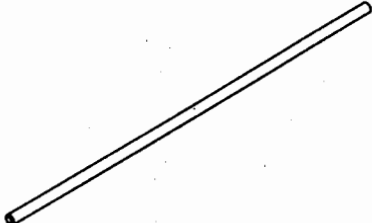
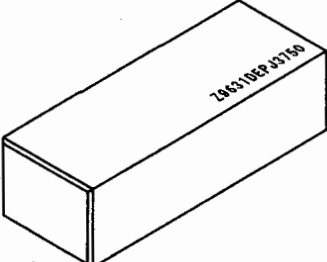
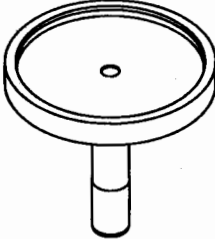
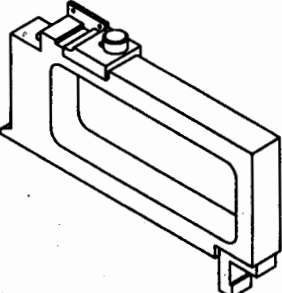
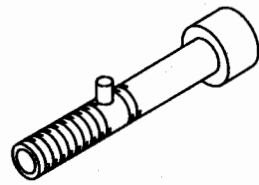
Explanation of the Ranking Used in the Jig Parts List

The jigs are labeled A, B or C. These rankings are explained below:

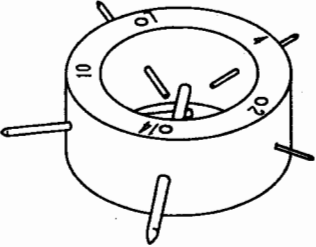
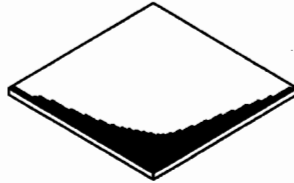
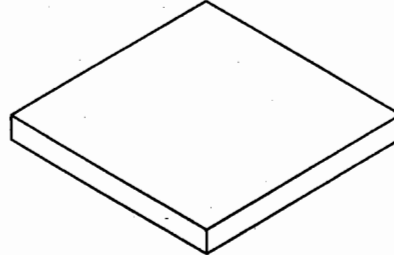

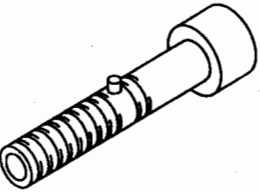
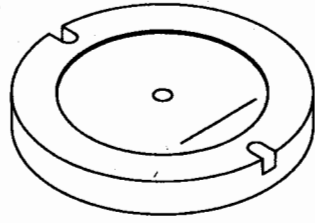
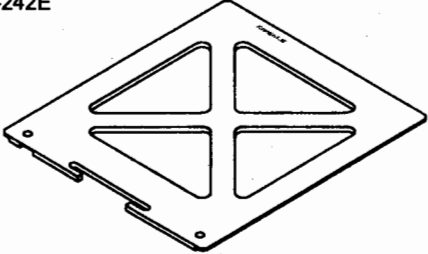
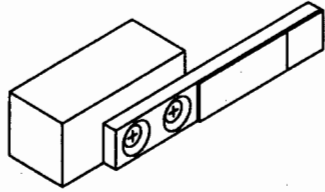
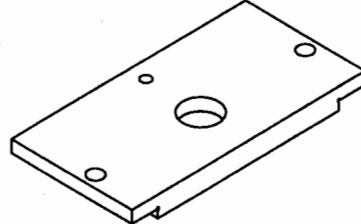
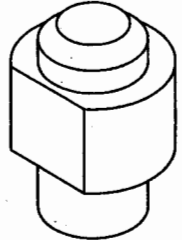
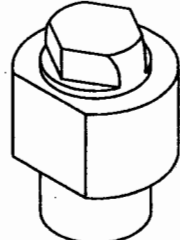
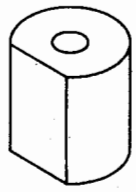
- A..... These jigs are considered necessary for daily maintenance of the machine.
(Use of these items is explained in level 1 customer training.)
- B..... These jigs are not required for daily maintenance but are considered necessary to make adjustments, confirm settings and measure Proper data when relatively minor problems occur with the machine.
(Use of these items is explained in level 2 agent training.)
- C..... These jigs are required if a major problem occurs on the machine and an agent or Fuji staff member is sent to the customer's facility to replace a part, make adjustments, etc. These jigs are used mainly for assembly work during the construction of the machine and are rarely used at the customer's facility.
(Used of these jigs is confined to Fuji agents and Fuji staff who have specialist knowledge of the machine.)

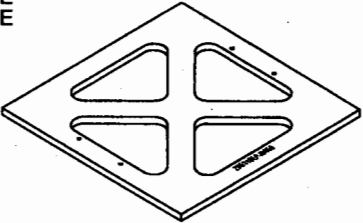
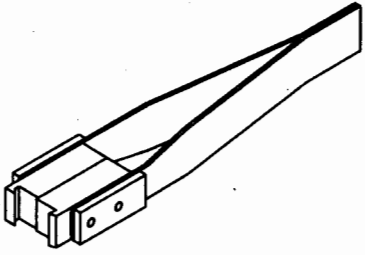
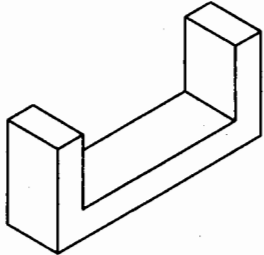
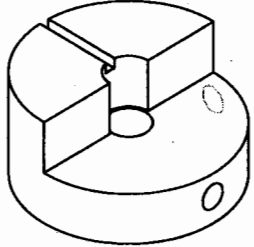
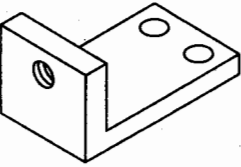
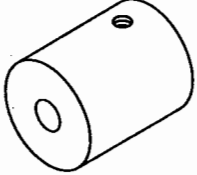
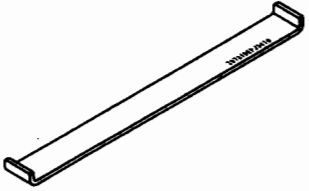
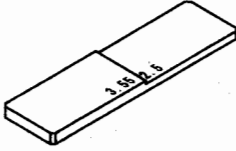
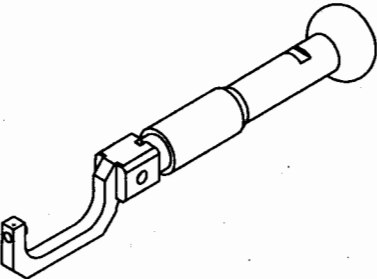
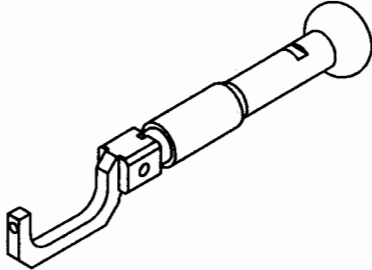
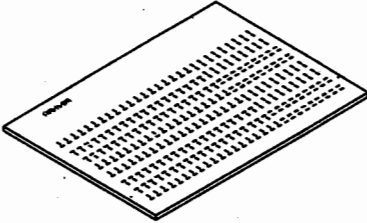
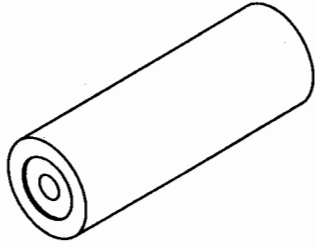
02JE Released : OCT 2003

<p>A1 NOZZLE BOX ADEPJ8101</p> <p>XP-141E</p>  <p>ノズル収納箱 Nozzle Box</p>	<p>A2 NOZZLE BOX ADNPNJ8101</p> <p>XP-142E</p>  <p>ノズル収納箱 Nozzle Box</p>	<p>A3 NOZZLE BOX ADEPJ8301</p> <p>XP-241E XP-341E XP-242E</p>  <p>ノズル収納箱 Nozzle Box</p>	<p>A4 GUN, GREASE KIT AWPJ8201</p> <p>XP-142E</p>  <p>ボールネジ・リニアガイド給油 For lubrication of ballscrews, linear guides</p>
<p>A5 GAUGE MASTER ADEPJ8163</p> <p>XP-141E XP-241E XP-341E XP-142E XP-242E</p>  <p>画像処理用色見本治具 Vision processing color test jig</p>	<p>A6 JIG Z9734DNPJ1200</p> <p>XP-142E</p>  <p>ノズル取り外し工具 Nozzle removal jig</p>		

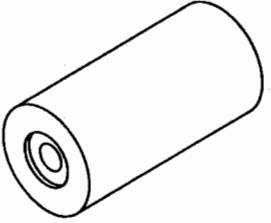
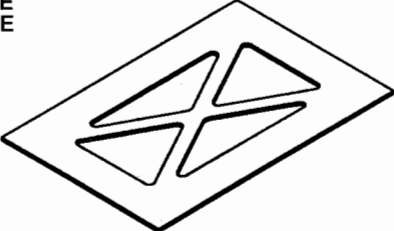
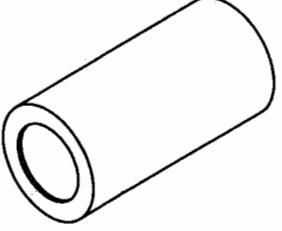
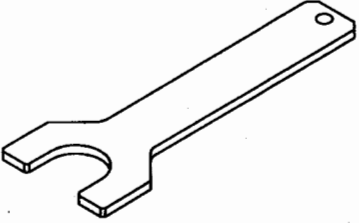
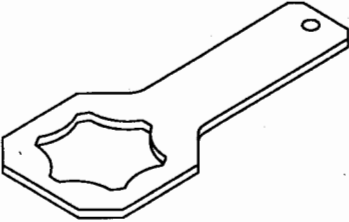
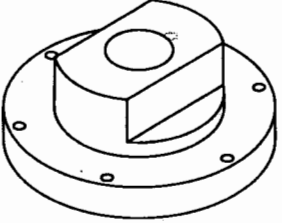
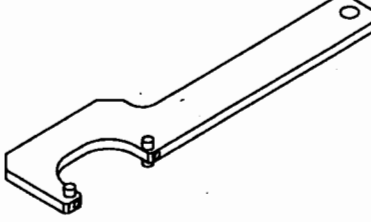
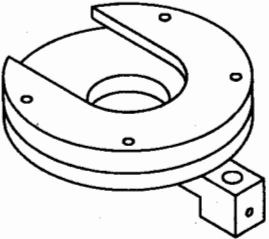
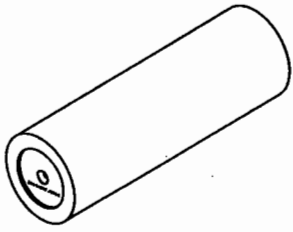

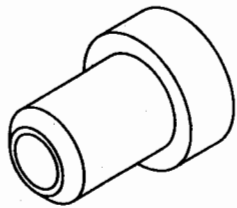
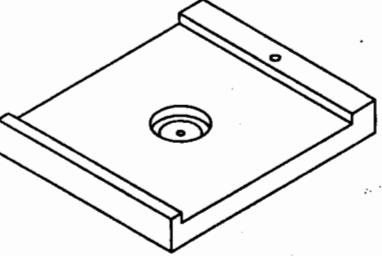
<p>B1 PLATE JIG AJPJ0062</p> <p>XP-141E XP-241E XP-341E XP-142E XP-242E</p>  <p>カメラピント出し、Z0固有値測定治具 Camera focus, Z0 calibration jig</p>	<p>B2 GAUGE CENTERING Z9531DEPJ0070</p> <p>XP-241E XP-341E XP-242E</p>  <p>カメラピント出し、Z0固有値測定治具、パキューム圧測定 Camera focus, Z0 calibration, vacuum measurement jig</p>	<p>B3 RING CENTERING Z9531DEPJ0020</p> <p>XP-241E XP-341E XP-242E</p>  <p>ノズルチェンジ芯出し治具 Nozzle change alignment jig</p>	<p>B4 JIG Z9631ADEPJ8042</p> <p>XP-142E</p>  <p>フィーダ高さ測定、浮き上がりセンサ調整治具 Feeding lever height calibration jig</p>
<p>B5 GAUGE ADNAJ8010</p> <p>XP-142E XP-242E</p>  <p>カメラフォーカス調整用治具 Camera focus adjustment jig</p>	<p>B6 BLOCK REFERENCE Z9531DEPJ1250</p> <p>XP-141E XP-241E XP-341E XP-142E XP-242E</p>  <p>ゲージチップ置場高さ測定治具 Gauge chip holder height calibration jig</p>	<p>B7 JIG AWPJ8191</p> <p>XP-141E XP-142E</p>  <p>ノズル高さ測定治具 Nozzle height calibration jig</p>	<p>B8 PIN Y3602DETR0700</p> <p>XP-241E XP-242E</p>  <p>T軸-U軸間 インターロックセンサ芯出し Between the T- and U-axis. Interlock sensor alignment rod</p>
<p>B9 BLOCK JIG Z9631DEPJ3750</p> <p>XP-241E XP-242E</p>  <p>T軸トレイ高さ検知、U軸トレイ戻り時高さ検知 T-axis tray height detect, U-axis tray return height detect jig</p>	<p>B10 GAUGE CENTERING Z9731DEPJ3650</p> <p>XP-241E XP-242E</p>  <p>パーツ吸着位置測定 Parts pickup position calibration jig</p>	<p>B11 JIG INSPECTION Z9731ADEPJ8270</p> <p>XP-242E</p>  <p>ピックアップポジション測定、浮き上がりセンサ調整治具 Pick-up position adjustment, raised feeder check sensor calibration jig</p>	<p>B12 NOZZLE Z9734ADNPJ8011</p> <p>XP-142E</p>  <p>ノズル高さ・位置測定、パキューム圧測定 Nozzle height / position, vacuum measurement jig</p>

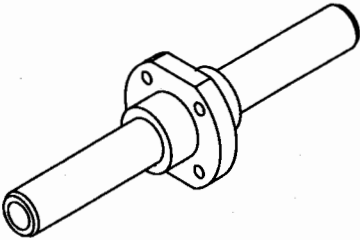
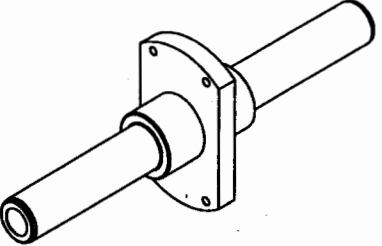
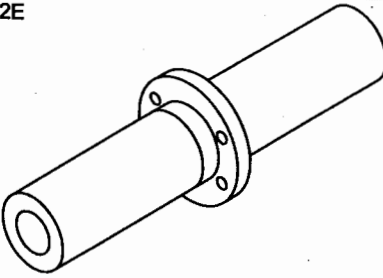
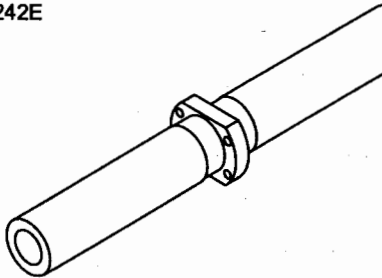
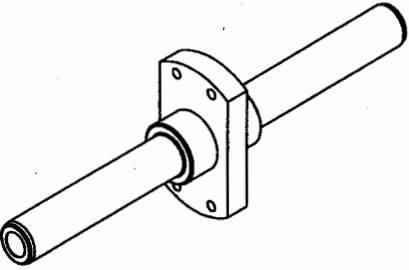
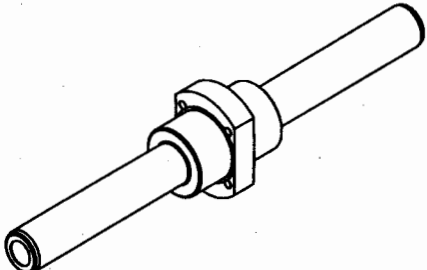
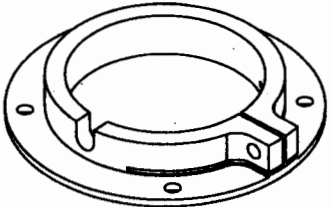
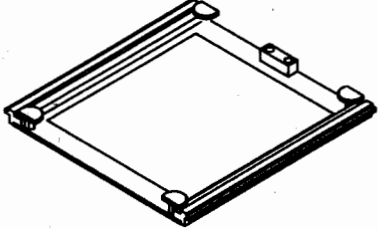
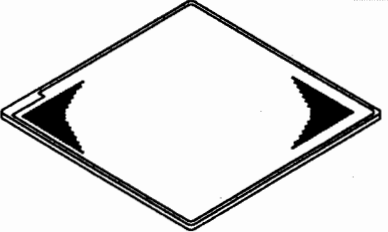
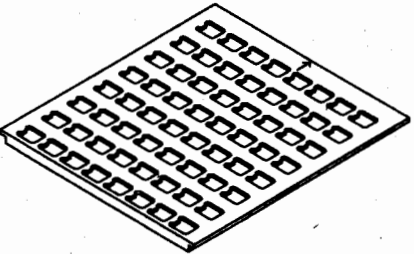
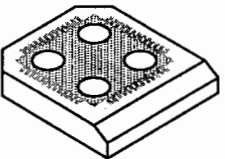
※ set Indicates jigs that are only used as a set. このマークのある治具はセットでの使用となります。

<p>B13 GAUGE Z9531ADEPJ1210</p> <p>XP-141E XP-142E</p>  <p>ノズル内径確認用 Nozzle internal diameter check jig</p>	<p>B14 PLATE REFERENCE Z9734DNPJ1290</p> <p>(D set)</p> <p>XP-141E XP-241E XP-341E XP-142E XP-242E</p>  <p>分解能視差補正治具 Resolution Parallax Correction Jig</p>	<p>B15 SPACER Z9731DEPJ1060</p> <p>(D set)</p> <p>XP-142E</p>  <p>分解能視差補正治具補助 Resolution Parallax Correction Jig Spacer</p>	<p>B16 JIG Y3303JG0010</p> <p>(D set)</p> <p>XP-241E XP-341E XP-242E</p>  <p>分解能測定ノズル治具 Camera resolution Measurement jig</p>
<p>B17 NOZZLE A5706ADEAJ8101</p> <p>XP-141E</p>  <p>ノズル高さ測定治具 Nozzle height calibration jig</p>	<p>B18 RING CENTERING Z9631DEPJ3280</p> <p>XP-241E XP-341E XP-242E</p>  <p>ノズルチェンジ台セット確認センサ調整治具 Nozzle station set check sensor jig</p>	<p>B19 PLATE MASTER Z9731DEPJ3522</p> <p>XP-241E XP-242E</p>  <p>マスタトレイ、Y軸-マガジン平行測定、T軸固有値測定、 Master tray Y-axis magazine parallelism, T-axis measurement, Tray pickup point</p>	<p>B20 JIG Z9731ADEPJ8141</p> <p>XP-241E XP-242E</p>  <p>トレイ皿後退確認センサ調整用 Tray retract sensor adjustment jig</p>
<p>B21 PLATE Z9631DEPJ3550</p> <p>XP-241E XP-242E</p>  <p>リムーバ着座センサ調整用 Remover set check sensor jig</p>	<p>B22 PIN LOCATING Z9631DEPJ3560</p> <p>XP-241E XP-242E</p>  <p>リムーバ着座センサ調整用 Remover set check sensor jig</p>	<p>B23 PIN LOCATING Z9631DEPJ3571</p> <p>XP-241E XP-242E</p>  <p>リムーバ着座センサ調整用 Remover set check sensor jig</p>	<p>B24 PIN Z9631DEPJ3580</p> <p>XP-241E XP-242E</p>  <p>リムーバ着座センサ調整用 Remover set check sensor jig</p>

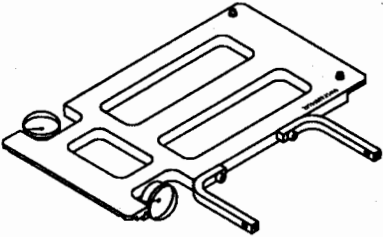
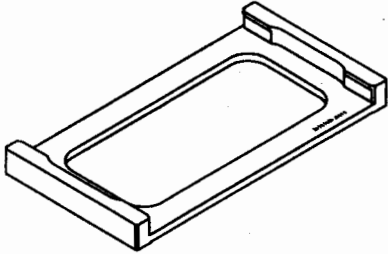
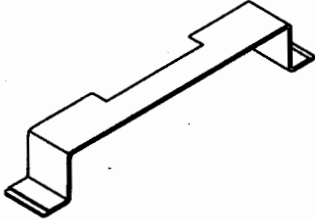
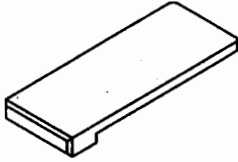
<p>C1 PLATE REFERENCE Z9531DEPJ0050</p> <p>XP-141E XP-241E XP-341E XP-142E XP-242E</p>  <p>X, Y軸真直度、直角度測定治具 X-, Y-axis right angle checking jig</p>	<p>C2 TWEEZERS Z9731ADEPJ8350</p> <p>XP-142E XP-242E</p>  <p>精度測定用 Tweezers for accuracy measurement</p>	<p>C3 GAUGE Z9531DEPJ0140</p> <p>XP-141E XP-241E XP-341E XP-142E XP-242E</p>  <p>基板クランプ調整治具 Board clamber adjustment jig</p>	<p>C4 MASTER Z9631DEPJ3410</p> <p>XP-241E XP-242E</p>  <p>リード浮き検出 Raised lead detection jig</p>
<p>C5 BKT ADJUSTING A9733DESY3190</p> <p>XP-141E XP-241E XP-341E XP-142E XP-242E</p>  <p>Y軸モータベルトテンション調整治具 Y-axis motor belt tension adjustment jig</p>	<p>C6 JIG CENTERING Z9631DEAJ1010</p> <p>XP-141E XP-142E</p>  <p>R軸カップリング芯出し治具 R-axis coupling alignment jig</p>	<p>C7 PLATE JIG Z9731DEPJ3610</p> <p>XP-241E XP-242E</p>  <p>MTU引き出しストップバすきま調整治具 MTU stopper gap adjustment jig</p>	<p>C8 PLATE JIG Z9631DEPJ3690</p> <p>XP-241E XP-242E</p>  <p>キャッチャ開放隙調整 Catcher gap adjustment jig</p>
<p>C9 WRENCH Z9734ADNPJ8030</p> <p>XP-142E</p>  <p>カメラレンズ締付け治具 (マークカメラ) Camera lens torque wrench(Mark camera)</p>	<p>C10 WRENCH Z9734ADNPJ8050</p> <p>XP-142E XP-242E</p>  <p>カメラレンズ締付け治具 (パーツカメラ) Camera lens torque wrench(Parts camera)</p>	<p>C11 BOARD 67686-PA-2010</p> <p>XP-141E XP-142E</p>  <p>装着精度測定治具 Placing accuracy checking jig</p>	<p>C12 GAUGE A5704DEPJ1240</p> <p>XP-141E XP-241E XP-341E XP-142E XP-242E</p>  <p>コンベア高さ測定 Conveyor height calibration</p>

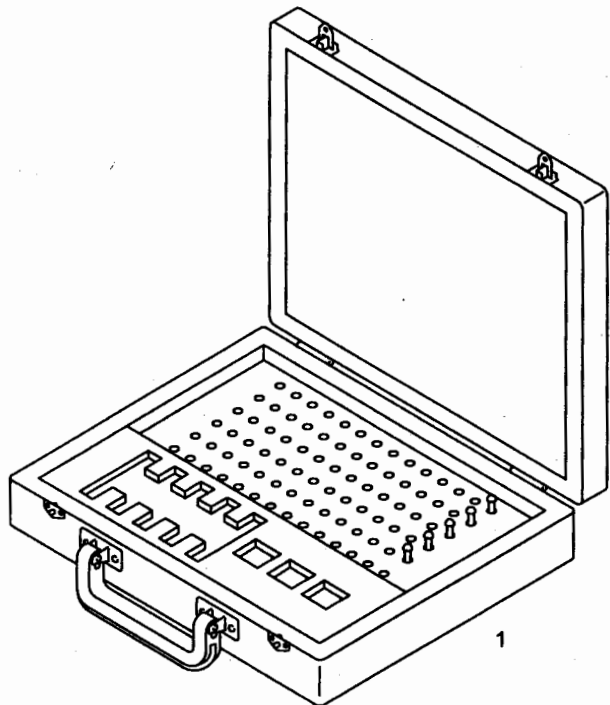
※ set Indicates jigs that are only used as a set. このマークのある治具はセットでの使用となります。

<p>C13 GAUGE A5704DEPJ1250</p> <p>XP-141E XP-241E XP-341E XP-142E XP-242E</p>  <p>カムフォロア高さ測定 Cam follower height calibration</p>	<p>C14 PLATE JIG A5704DEPJ1290</p> <p>XP-141E XP-241E XP-341E XP-142E XP-242E</p>  <p>コンベア幅決め Conveyor width jig</p>	<p>C15 BLOCK JIG Z9531DEPJ0130</p> <p>XP-141E XP-241E XP-341E XP-142E XP-242E</p>  <p>リフタプレート to クランパ上面 Lifter plate to clamper top surface</p>	<p>C16 TOOL Z9631DEPJ1930</p> <p>XP-241E XP-341E XP-242E</p>  <p>ヘッドナット締付 Head nut wrench</p>
<p>C17 TOOL Z9631DEPJ1900</p> <p>XP-141E XP-142E</p>  <p>ヘッドギア締付 Head gear wrench</p>	<p>C18 JIG Z9631DEPJ1910</p> <p>XP-141E XP-142E</p>  <p>ヘッドギア固定 Head gear tightening jig</p>	<p>C19 JIG Z9631DEPJ1920</p> <p>XP-141E XP-142E</p>  <p>ヘッドギア固定 Head gear spanner</p>	<p>C20 JIG Z9631ADEPJ8090</p> <p>(E set)</p> <p>XP-241E XP-341E XP-242E</p>  <p>Z軸垂直度測定 Z-axis vertical movement checking jig</p>
<p>C21 GAUGE CENTERING Z9531DEPJ0060</p> <p>(E set)</p> <p>XP-241E XP-341E XP-242E</p>  <p>Z軸垂直度測定治具 Z-axis vertical movement checking jig</p>	<p>C22 BASE JIG Z9531DEPJ1080</p> <p>(E set)</p> <p>XP-241E XP-341E XP-242E</p>  <p>Z軸垂直度測定治具 Z-axis vertical movement checking jig</p>	<p>C23 PIN LOCATING Z9631DEPJ3530</p> <p>(F set)</p> <p>XP-241E XP-242E</p>  <p>リムーバッド貼付け治具 Remover pad installation jig</p>	<p>C24 PLATE Z9631DEPJ3540</p> <p>(F set)</p> <p>XP-241E XP-242E</p>  <p>リムーバッド貼付け治具 Remover pad installation jig</p>

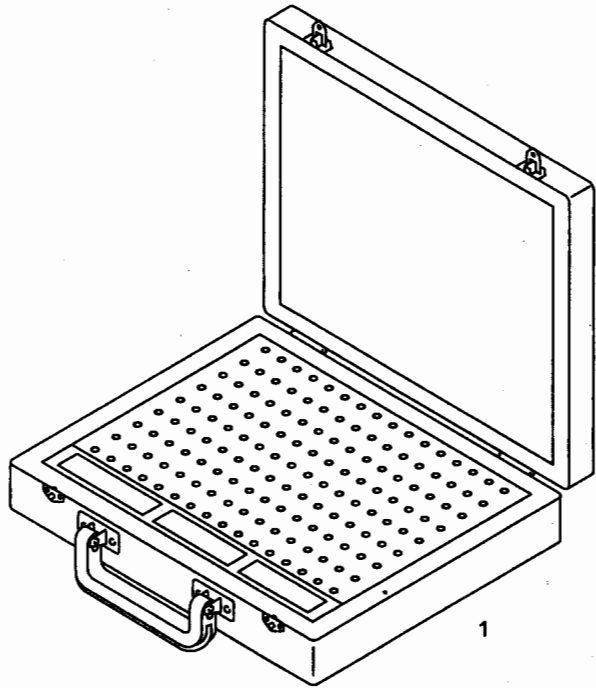
<p>C25 BAR TEST Z9731DEPJ0530 XP-142E XP-242E G set</p>  <p>X軸ボールネジ芯出し治具 (モータ側) X-axis Ball screw alignment jig (Motor side)</p>	<p>C26 BAR TEST Z9731DEPJ0540 XP-142E XP-242E G set</p>  <p>X軸ボールネジ芯出し治具 (支持側) X-axis Ball screw alignment jig (Support side)</p>	<p>C27 JIG CENTERING Z9731DEPJ0510 XP-142E XP-242E G set</p>  <p>X軸ボールネジ芯出し治具 (ヘッド取付) Ball screw alignment jig (Head installation)</p>	<p>C28 JIG CENTERING Z9731DEPJ0520 XP-142E XP-242E H set</p>  <p>Y軸ボールネジ芯出し治具 (ヘッド取付) Ball screw alignment jig (Head installation)</p>
<p>C29 BAR TEST Z9731DEPJ1780 XP-142E H set</p>  <p>Y軸ボールネジ芯出し治具 (両軸側) Y-axis Ball screw alignment jig (Both sides)</p>	<p>C30 BAR TEST Z9731DEPJ4230 XP-242E H set</p>  <p>Y軸ボールネジ芯出し治具 (両軸側) Y-axis Ball screw alignment jig (Both sides)</p>	<p>C31 BKT Z9631DEPJ2160 XP-141E XP-142E J set</p>  <p>裏面測定用ランプ取付け Lower surface measurement lamp installation jig</p>	<p>C32 JIG INSPECTION Z9631ADEPJ8144 XP-141E XP-142E XP-242E J set</p>  <p>ガラス基板裏面測定治具 Glass board reverse measurement holder</p>
<p>C33 GAUGE MASTER Z9731DEPJ3640 XP-141E XP-142E XP-242E J set K set</p>  <p>精度測定用 Accuracy measurement jig</p>	<p>C34 JIG Z9734ADNPJ8021 XP-142E XP-242E K set</p>  <p>装着精度測定用治具 Placing accuracy checking jig</p>	<p>C35</p>	<p>C36 GLASS CHIP Z9734DNPJ0022 XP-142E XP-242E K set</p>  <p>装着精度測定用治具 P=0.5mm □=10mm Placing accuracy checking jig P=0.5mm □=10mm</p>

※ set Indicates jigs that are only used as a set. このマークのある治具はセットでの使用となります。

<p>C37 JIG Z9731ADEPJ8131 (L set) XP-241E XP-242E</p>  <p>マガジン内寸法測定、ガイドマガジン段差測定 Magazine alignment, tray pitch offset measurement jig</p>	<p>C38 GAUGE MASTER Z9731DEPJ3510 (L set) XP-241E XP-242E</p>  <p>マガジン内寸測定治具用マスタ Magazine measurement master</p>	<p>C39 GAUGE MASTER Z9631DEPJ3210 (M set) XP-241E XP-242E</p>  <p>インターロックセンサ遮光確認 Interlock sensor beam block jig</p>	<p>C40 GAUGE Z9631DEPJ3220 (M set) XP-241E XP-242E</p>  <p>インターロックセンサ遮光確認 Interlock sensor beam block jig</p>
--	--	---	--



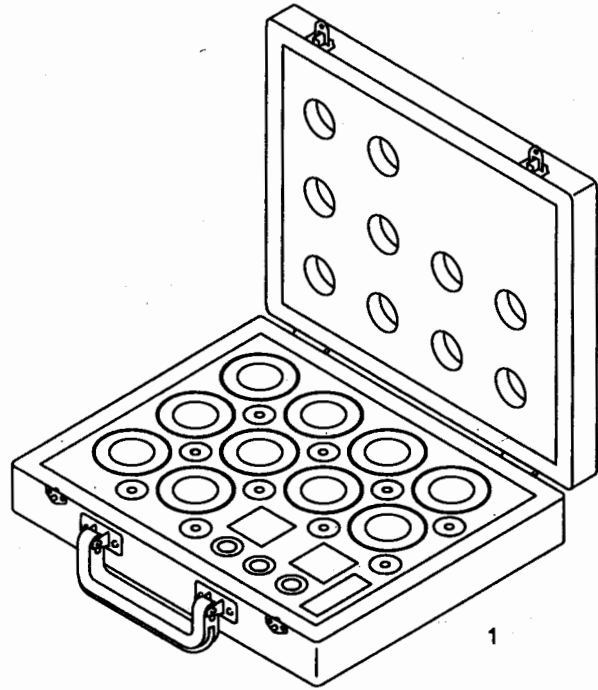
No.	Drg.No. & Coddde No.	Description	QTY	Rating & Remarks
1	ADEPJ8101	NOZZLE, BOX	1	
2				
3				
4				
5				
6				
7				
8				
9				
10				
11				
12				
13				
14				
15				
16				
17				
18				
19				
20				
21				
22				
23				
24				
25				
26				
27				
28				
29				
30				



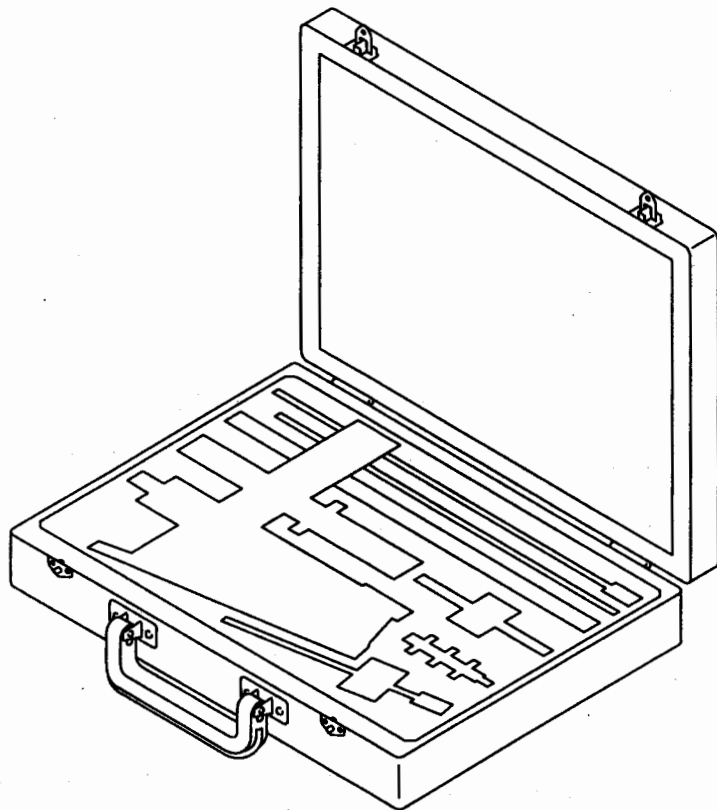
A2

ADNPJ8101
NOZZLE BOX
ノズル BOX

No.	Drg.No. & Coddde No.	Description	QTY	Rating & Remarks
1	ADNPJ8101	NOZZLE BOX	1	
2				
3				
4				
5				
6				
7				
8				
9				
10				
11				
12				
13				
14				
15				
16				
17				
18				
19				
20				
21				
22				
23				
24				
25				
26				
27				
28				
29				
30				



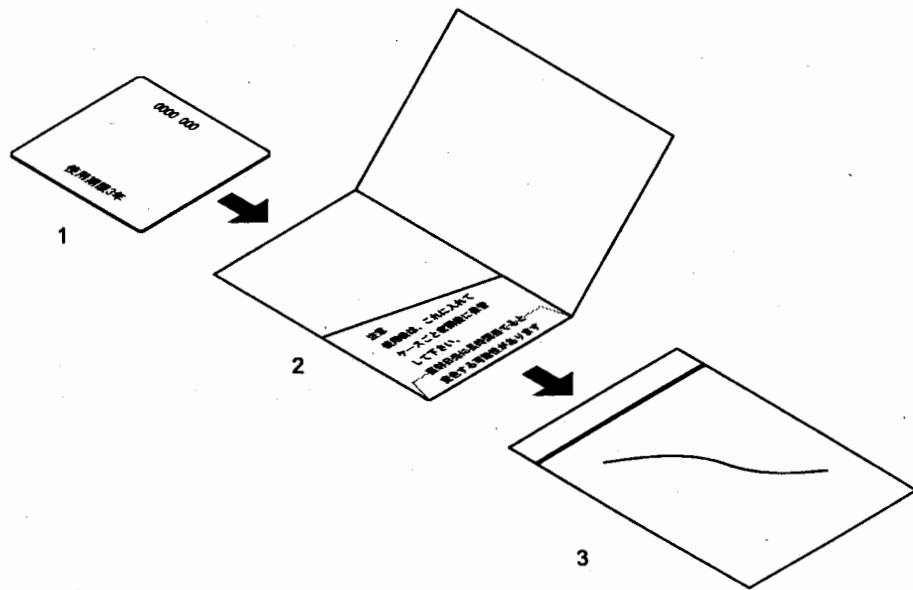
No.	Drg.No. & Coddde No.	Description	QTY	Rating & Remarks
1	ADEPJ8301	NOZZLE BOX	1	
2				
3				
4				
5				
6				
7				
8				
9				
10				
11				
12				
13				
14				
15				
16				
17				
18				
19				
20				
21				
22				
23				
24				
25				
26				
27				
28				
29				
30				



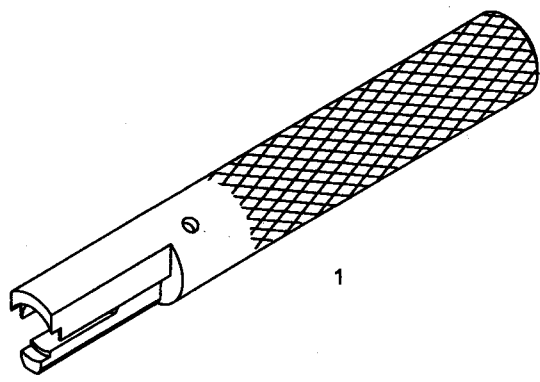
A4

AWPJ8201
 GUN, GREASE KIT
 ガン グリス (キット)

No.	Drg.No. & Coddde No.	Description	QTY	Rating & Remarks
1	WPJ1261	NIPPLE, VOLUTE	1	
2	K1153F	GUN, OIL	1	KH-120(HSP-1)
3	S2184A	SYRINGE	1	JS-S30S
4	H5456T	HOSE, RUBBER	1	SPK-3C
5	T2063H	HOSE, AIR	2	TU0604B-310mm
6	N5004A	NOZZLE	1	L
7	N5005A	NOZZLE	1	N
8	N5006A	NOZZLE	1	N-1
9	N5007A	NOZZLE	1	P
10	N5008A	NOZZLE	1	U
11	T2061E	TUBE	1	PTFE TUBE 2X3-150mm
12	K5303T	CONNECTOR	1	PN1/8-PT1/8-BS
13	S2176B	JOINT, ONE-TOUCH	1	TS6-01
14	S3084A	SLEEVE	1	40-13
15				
16				
17				
18				
19				
20				
21				
22				
23				
24				
25				
26				
27				
28				
29				
30				



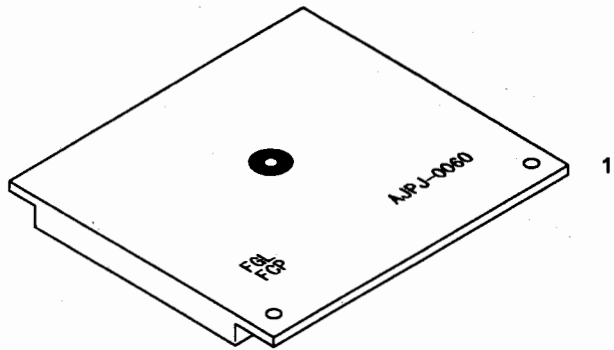
No.	Drg.No. & Coddde No.	Description	QTY	Rating & Remarks
1	DEPJ0113	GAUGE MASTER	1	
2	DEPJ0062	CASE SEAL	1	
3	H3046E	BAG, VINYL	1	C-4
4				
5				
6				
7				
8				
9				
10				
11				
12				
13				
14				
15				
16				
17				
18				
19				
20				
21				
22				
23				
24				
25				
26				
27				
28				
29				
30				



No.	Drg.No. & Coddde No.	Description	QTY	Rating & Remarks
1	Z9734DNPJ1200	JIG	1	
2				
3				
4				
5				
6				
7				
8				
9				
10				
11				
12				
13				
14				
15				
16				
17				
18				
19				
20				
21				
22				
23				
24				
25				
26				
27				
28				
29				
30				

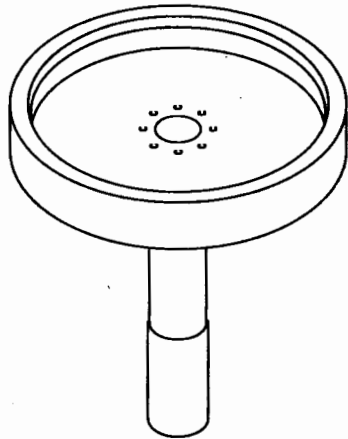
A6

Z9734DNPJ1200
JIG
ジゲ



1

No.	Drg.No. & Coddde No.	Description	QTY	Rating & Remarks
1	AJPJ0062	PLATE JIG	1	
2				
3				
4				
5				
6				
7				
8				
9				
10				
11				
12				
13				
14				
15				
16				
17				
18				
19				
20				
21				
22				
23				
24				
25				
26				
27				
28				
29				
30				

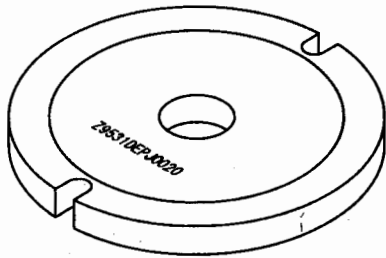


1

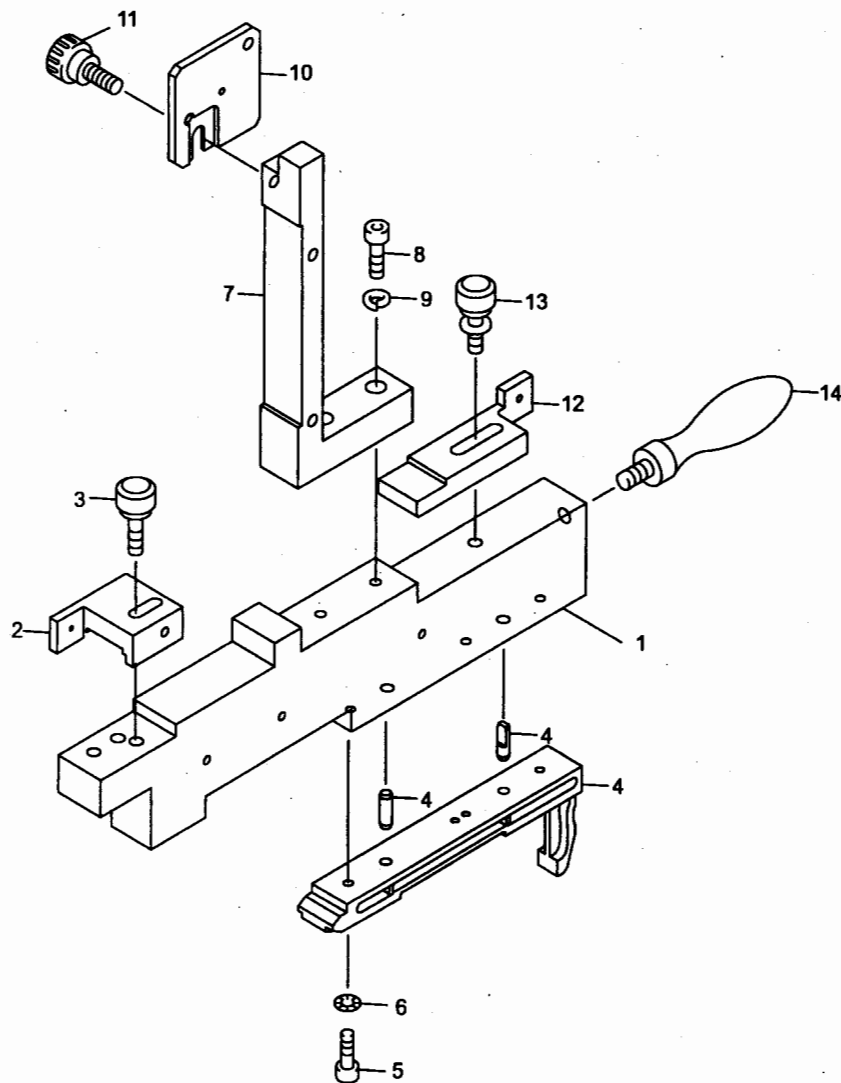
B2

Z9531DEPJ0070
GAUGE CENTERING
ゲージ シンダシ

No.	Drg.No. & Coddde No.	Description	QTY	Rating & Remarks
1	Z9531DEPJ0070	GAUGE CENTERING	1	
2				
3				
4				
5				
6				
7				
8				
9				
10				
11				
12				
13				
14				
15				
16				
17				
18				
19				
20				
21				
22				
23				
24				
25				
26				
27				
28				
29				
30				



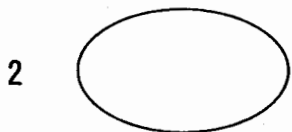
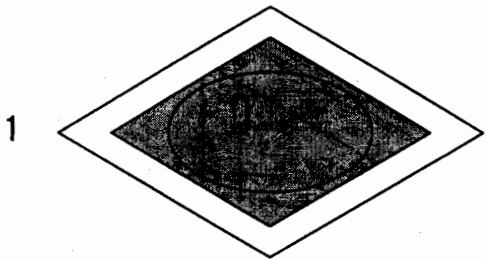
No.	Drg.No. & Coddde No.	Description	QTY	Rating & Remarks
1	Z9531DEPJ0020	RING CENTERING	1	
2				
3				
4				
5				
6				
7				
8				
9				
10				
11				
12				
13				
14				
15				
16				
17				
18				
19				
20				
21				
22				
23				
24				
25				
26				
27				
28				
29				
30				



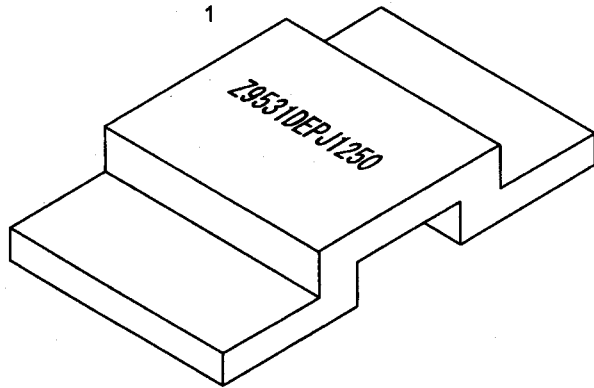
No.	Drg.No. & Coddde No.	Description	QTY	Rating & Remarks
1	Z9631DEPJ1490	GAUGE MASTER	1X2	
2	Z9731DEPJ0101	DOG	1X2	
3	T3005D	KNOB	1X2	TL-112-520
4	AWCC4602		1X2	
5	H5289A	BOLT, HEX SOCKET	3X2	M4X12
6	W1011A	WASHER, CONICAL	3X2	M-4-L
7	Z9631DEPJ1500	JIG INSPECTION	1X2	
8	H5325A	BOLT, HEX SOCKET	2X2	M6X22
9	W1024A	WASHER, LOCK	2X2	6M/M
10	Z9631DEPJ1321	JIG CENTERING	1X2	
11		KNOB	1X2	FTK16X10
12	Z9631DEPJ1310	GAUGE	1X2	
13	T3005X	KNOB	1X2	TL-233-6
14		GRIP	1X2	SA20
15				
16				
17				
18				
19				
20				
21				
22				
23				
24				
25				
26				
27				
28				
29				
30				

B4

Z9631ADEPJ8042
JIG
ジグ



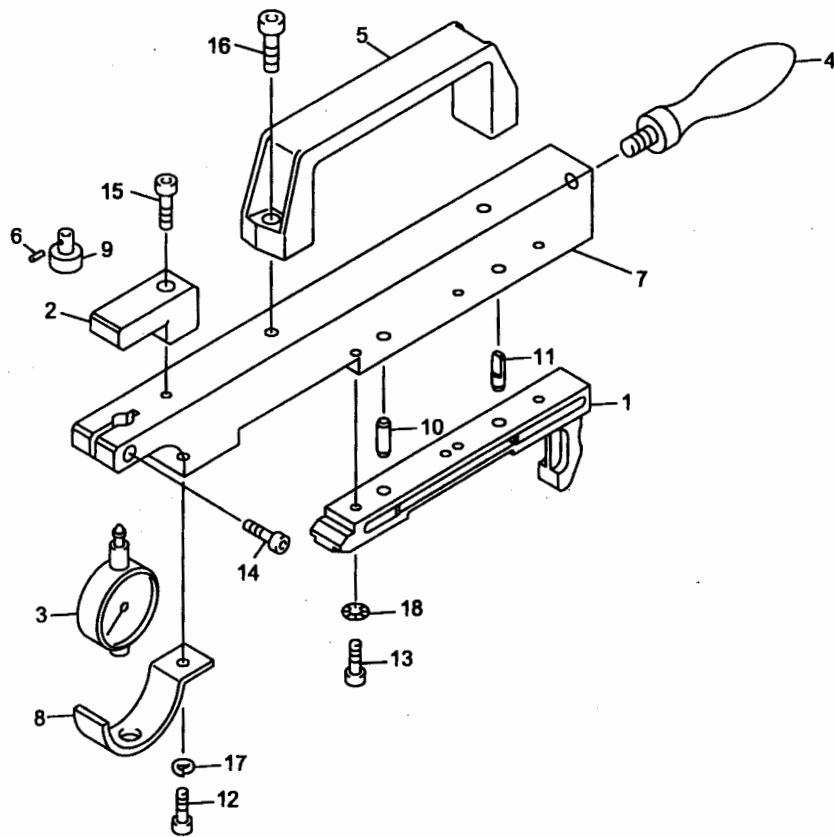
No.	Drg.No. & Coddde No.	Description	QTY	Rating & Remarks
1	DNAJ0010	SEAL	1	
2	DNAJ0020	PLATE	1	
3				
4				
5				
6				
7				
8				
9				
10				
11				
12				
13				
14				
15				
16				
17				
18				
19				
20				
21				
22				
23				
24				
25				
26				
27				
28				
29				
30				



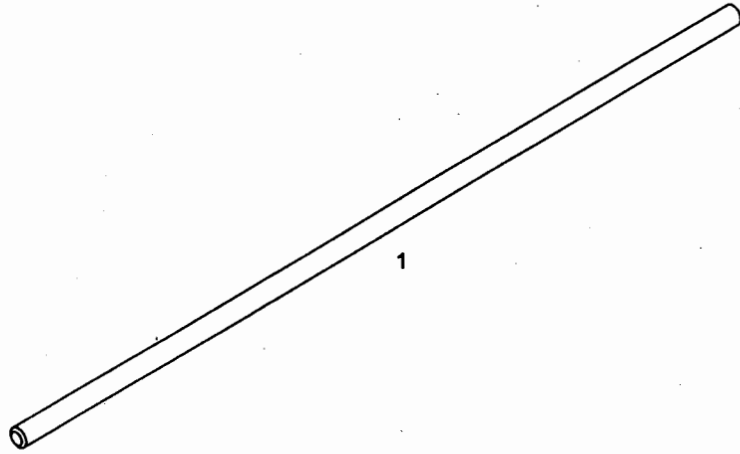
No.	Drg.No. & Coddde No.	Description	QTY	Rating & Remarks
1	Z9531DEPJ1250	BLOCK REFERENCE	1	
2				
3				
4				
5				
6				
7				
8				
9				
10				
11				
12				
13				
14				
15				
16				
17				
18				
19				
20				
21				
22				
23				
24				
25				
26				
27				
28				
29				
30				

B6

Z9531DEPJ1250
 BLOCK REFERENCE
 ブロック キジュン



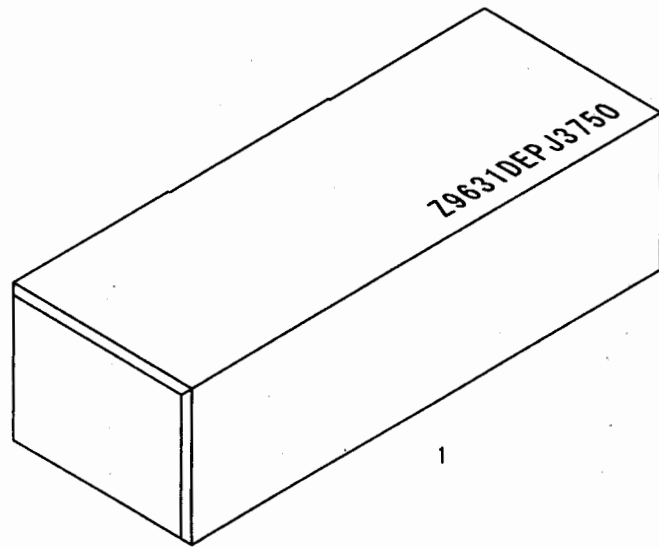
No.	Drg.No. & Coddde No.	Description	QTY	Rating & Remarks
1	WCC0502	GUIDE	1	
2	DCPJ1150	GAUGE	1	
3	K4169A	GAUGE DIAL	1	TM-34F
4	N2118L	GRIP	1	SA25
5	T5000T	HANDLE	1	AGS130
6	WPH8281	PIN NEEDLE	1	
7	WPJ0590	BODY	1	
8	WPJ0600	COVER	1	
9	WPJ0611	JIG CENTERING	1	
10	WCAO0211	PIN	1	
11	WCAO0222	PIN	1	
12	H5288A	BOLT, HEX SOCKET	1	M04X010
13	H5289A	BOLT, HEX SOCKET	3	M04X012
14	H5291A	BOLT, HEX SOCKET	1	M04X018
15	H5303A	BOLT, HEX SOCKET	1	M05X022
16	H5341A	BOLT, HEX SOCKET	2	M08X020
17	W1022A	WASHER, LOCK	1	4MM
18	W1011A	WASHER, CONICAL	3	M-4-L
19				
20				
21				
22				
23				
24				
25				
26				
27				
28				
29				
30				



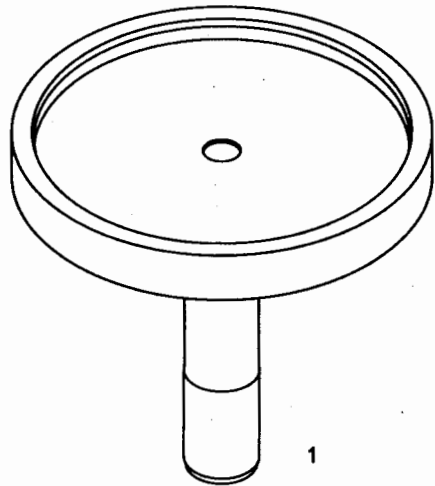
No.	Drg.No. & Coddde No.	Description	QTY	Rating & Remarks
1	Y3602DETR0700	PIN	1	
2				
3				
4				
5				
6				
7				
8				
9				
10				
11				
12				
13				
14				
15				
16				
17				
18				
19				
20				
21				
22				
23				
24				
25				
26				
27				
28				
29				
30				

B8

Y3602DETR0700
PIN
ピン



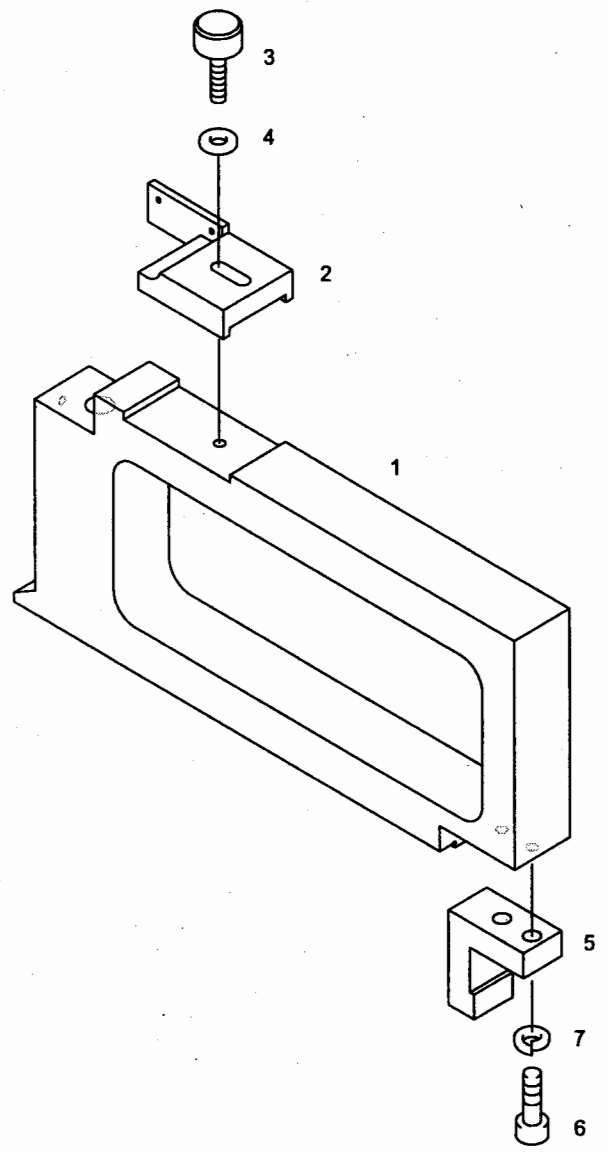
No.	Drg.No. & Coddde No.	Description	QTY	Rating & Remarks
1	Z9631DEPJ3750	BLOCK JIG	1X2	
2				
3				
4				
5				
6				
7				
8				
9				
10				
11				
12				
13				
14				
15				
16				
17				
18				
19				
20				
21				
22				
23				
24				
25				
26				
27				
28				
29				
30				



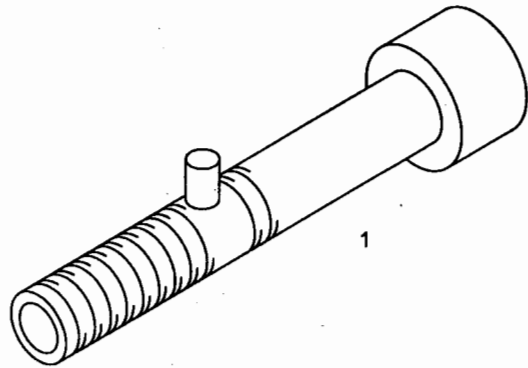
No.	Drg.No. & Coddde No.	Description	QTY	Rating & Remarks
1	Z9731DEPJ3650	GAUGE CENTERING	1	
2				
3				
4				
5				
6				
7				
8				
9				
10				
11				
12				
13				
14				
15				
16				
17				
18				
19				
20				
21				
22				
23				
24				
25				
26				
27				
28				
29				
30				

B10

Z9731DEPJ3650
 GAUGE CENTERING
 ジグ シンダシ



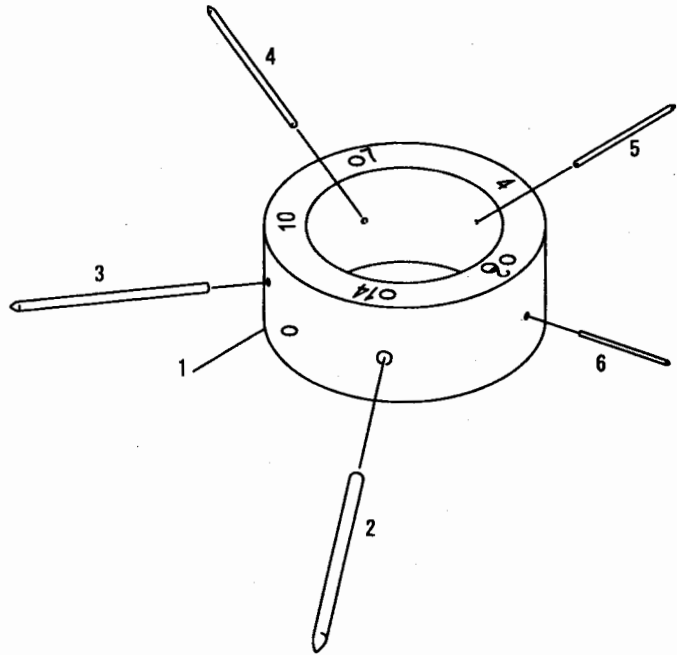
No.	Drg.No. & Coddde No.	Description	QTY	Rating & Remarks
1	Z5531DEPJ0010	GAUGE	1X2	
2	Z9731DEPJ3910	DOG	1X2	
3			1X2	KDM16-M5-20
4	W1044A	WASHER, FLAT	1X2	
5	IPJ1151	BKT	1X2	
6	H5301A	BOLT, HEX SOCKET	2X2	M5X18
7	W1023A	WASHER, LOCK	2X2	5MM
8				
9				
10				
11				
12				
13				
14				
15				
16				
17				
18				
19				
20				
21				
22				
23				
24				
25				
26				
27				
28				
29				
30				



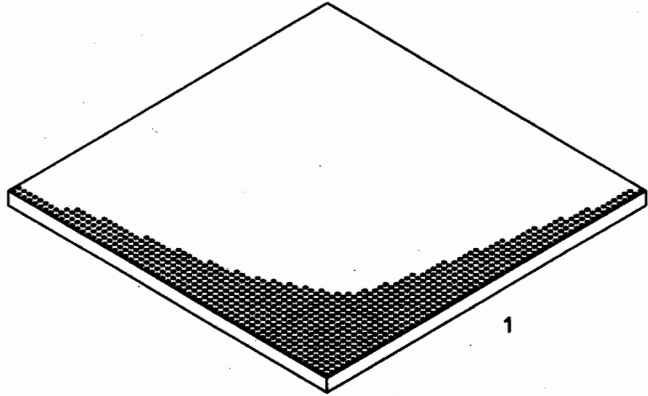
B12

Z9734ADNPJ8011
NOZZLE
ノズル

No.	Drg.No. & Coddde No.	Description	QTY	Rating & Remarks
1	Z9734ADNPJ8011	NOZZLE	1	
2				
3				
4				
5				
6				
7				
8				
9				
10				
11				
12				
13				
14				
15				
16				
17				
18				
19				
20				
21				
22				
23				
24				
25				
26				
27				
28				
29				
30				



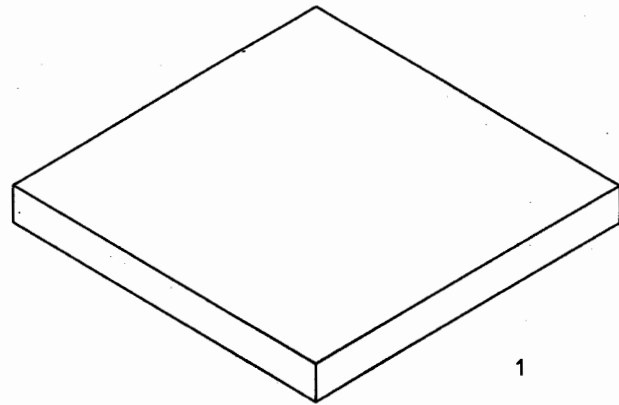
No.	Drg.No. & Coddde No.	Description	QTY	Rating & Remarks
1	Z9531DEPJ1260	GAUGE	1	
2		DRILL	1	φ 1.4X48
3		DRILL	1	φ 1.0X40
4		DRILL	1	φ 0.7X32
5		DRILL	1	φ 0.4X24
6		DRILL	1	φ 0.2X19
7				
8				
9				
10				
11				
12				
13				
14				
15				
16				
17				
18				
19				
20				
21				
22				
23				
24				
25				
26				
27				
28				
29				
30				



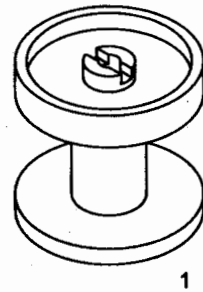
No.	Drg.No. & Coddde No.	Description	QTY	Rating & Remarks
1	Z9734DNPJ1290	PLATE REFERENCE	1	
2				
3				
4				
5				
6				
7				
8				
9				
10				
11				
12				
13				
14				
15				
16				
17				
18				
19				
20				
21				
22				
23				
24				
25				
26				
27				
28				
29				
30				

B14

Z9734DNPJ1290
 PLATE REFERENCE
 プレート キジュン



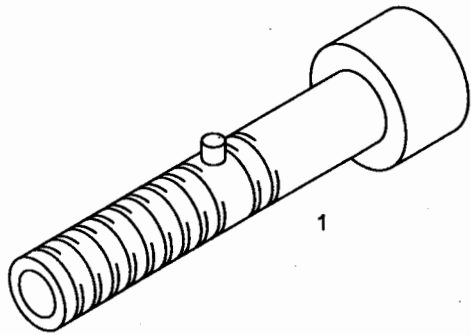
No.	Drg.No. & Coddde No.	Description	QTY	Rating & Remarks
1	Z9731DEPJ1060	SPACER	1	
2				
3				
4				
5				
6				
7				
8				
9				
10				
11				
12				
13				
14				
15				
16				
17				
18				
19				
20				
21				
22				
23				
24				
25				
26				
27				
28				
29				
30				



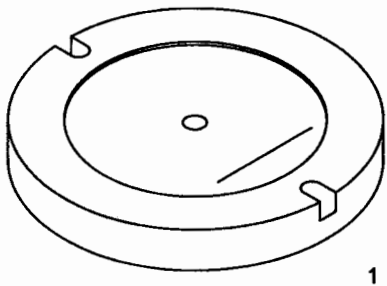
No.	Drg.No. & Coddde No.	Description	QTY	Rating & Remarks
1	Y3303JG0010	JIG	1	
2				
3				
4				
5				
6				
7				
8				
9				
10				
11				
12				
13				
14				
15				
16				
17				
18				
19				
20				
21				
22				
23				
24				
25				
26				
27				
28				
29				
30				

B16

Y3303JG0010
JIG
ジグ



No.	Drg.No. & Coddde No.	Description	QTY	Rating & Remarks
1	A5706ADEAJ8101	NOZZLE	1	
2				
3				
4				
5				
6				
7				
8				
9				
10				
11				
12				
13				
14				
15				
16				
17				
18				
19				
20				
21				
22				
23				
24				
25				
26				
27				
28				
29				
30				

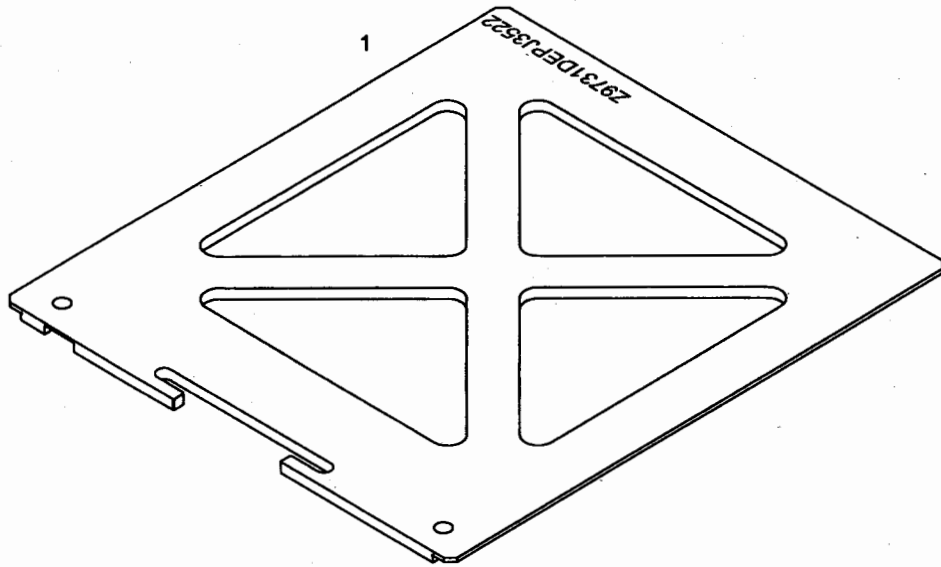


1

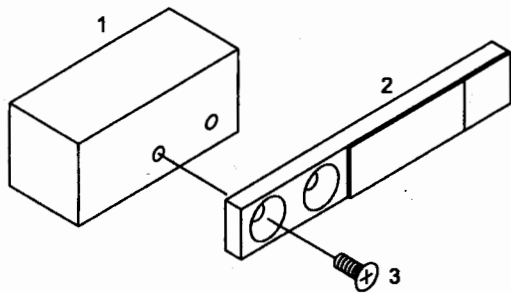
B18

Z9631DEPJ3280
RING CENTERING
リング シンダシ

No.	Drg.No. & Coddde No.	Description	QTY	Rating & Remarks
1	Z9631DEPJ3280	RING CENTERING	1	
2				
3				
4				
5				
6				
7				
8				
9				
10				
11				
12				
13				
14				
15				
16				
17				
18				
19				
20				
21				
22				
23				
24				
25				
26				
27				
28				
29				
30				



No.	Drg.No. & Coddde No.	Description	QTY	Rating & Remarks
1	Z9731DEPJ3522	PLATE, MASTER	1	
2				
3				
4				
5				
6				
7				
8				
9				
10				
11				
12				
13				
14				
15				
16				
17				
18				
19				
20				
21				
22				
23				
24				
25				
26				
27				
28				
29				
30				



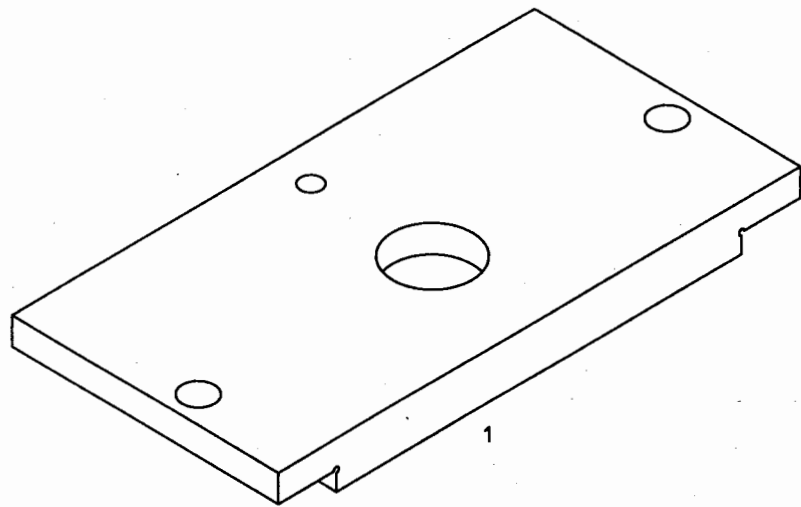
No.	Drq.No. & Coddde No.	Description	QTY	Rating & Remarks
1	Z9731DEPJ3560	WEIGHT	1	
2	Z9731DEPJ3571	JIG	1	
3	K5169H	SCREW, C/R COUNTERSUNK	2	M02X006
4				
5				
6				
7				
8				
9				
10				
11				
12				
13				
14				
15				
16				
17				
18				
19				
20				
21				
22				
23				
24				
25				
26				
27				
28				
29				
30				

B20

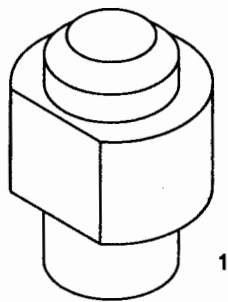
Z9731ADEPJ8141

JIG

ジグ



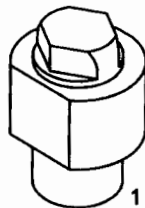
No.	Drg.No. & Coddde No.	Description	QTY	Rating & Remarks
1	Z9631DEPJ3550	PLATE	1	
2				
3				
4				
5				
6				
7				
8				
9				
10				
11				
12				
13				
14				
15				
16				
17				
18				
19				
20				
21				
22				
23				
24				
25				
26				
27				
28				
29				
30				



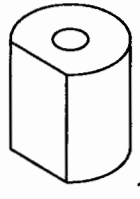
No.	Drg.No. & Coddde No.	Description	QTY	Rating & Remarks
1	Z9631DEPJ3560	PIN LOCATING	1	
2				
3				
4				
5				
6				
7				
8				
9				
10				
11				
12				
13				
14				
15				
16				
17				
18				
19				
20				
21				
22				
23				
24				
25				
26				
27				
28				
29				
30				

B22

Z9631DEPJ3560
PIN LOCATING
ピン イチギメ



No.	Drg.No. & Coddde No.	Description	QTY	Rating & Remarks
1	Z9631DEPJ3571	PIN LOCATING	1	
2				
3				
4				
5				
6				
7				
8				
9				
10				
11				
12				
13				
14				
15				
16				
17				
18				
19				
20				
21				
22				
23				
24				
25				
26				
27				
28				
29				
30				



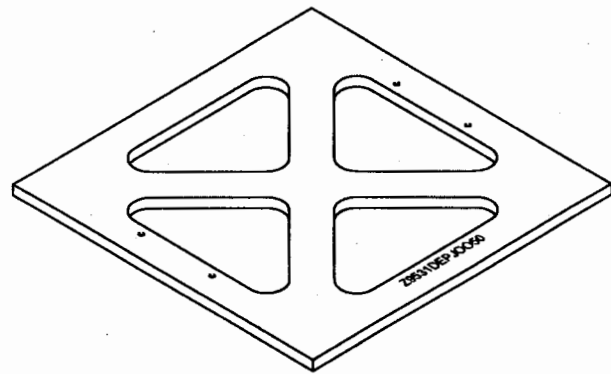
No.	Drg.No. & Coddde No.	Description	QTY	Rating & Remarks
1	Z9631DEPJ3580	PIN	1	
2				
3				
4				
5				
6				
7				
8				
9				
10				
11				
12				
13				
14				
15				
16				
17				
18				
19				
20				
21				
22				
23				
24				
25				
26				
27				
28				
29				
30				

B24

Z9631DEPJ3580

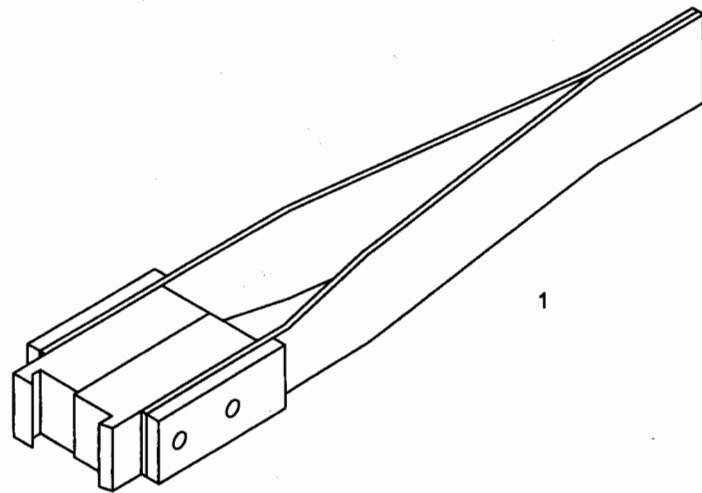
PIN

ピン



1

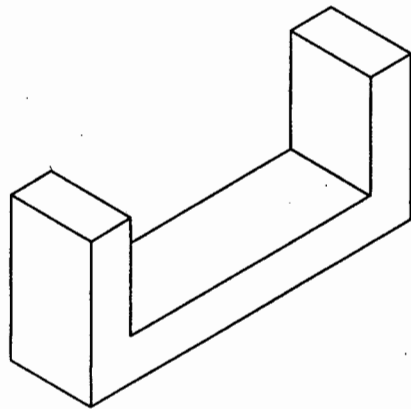
No.	Drg.No. & Coddde No.	Description	QTY	Rating & Remarks
1	Z9531DEPJ0050	PLATE, REFERENCE	1	
2				
3				
4				
5				
6				
7				
8				
9				
10				
11				
12				
13				
14				
15				
16				
17				
18				
19				
20				
21				
22				
23				
24				
25				
26				
27				
28				
29				
30				



No.	Drg.No. & Coddde No.	Description	QTY	Rating & Remarks
1	Z9731ADEPJ8350	TWEEZERS	1	
2				
3				
4				
5				
6				
7				
8				
9				
10				
11				
12				
13				
14				
15				
16				
17				
18				
19				
20				
21				
22				
23				
24				
25				
26				
27				
28				
29				
30				

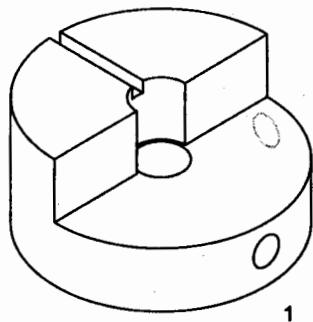
C2

Z9731ADEPJ8350
TWEEZERS
ピンセット



1

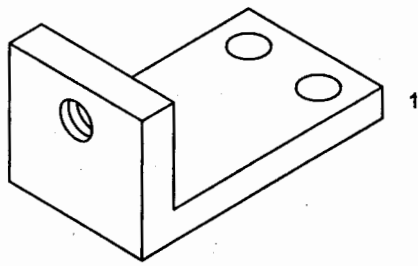
No.	Drg.No. & Coddde No.	Description	QTY	Rating & Remarks
1	Z9531DEPJ0140	GAUGE	1	
2				
3				
4				
5				
6				
7				
8				
9				
10				
11				
12				
13				
14				
15				
16				
17				
18				
19				
20				
21				
22				
23				
24				
25				
26				
27				
28				
29				
30				



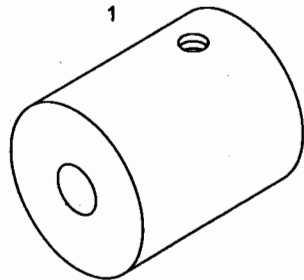
No.	Drg.No. & Coddde No.	Description	QTY	Rating & Remarks
1	Z9631DEPJ3410	MASTER	1	
2				
3				
4				
5				
6				
7				
8				
9				
10				
11				
12				
13				
14				
15				
16				
17				
18				
19				
20				
21				
22				
23				
24				
25				
26				
27				
28				
29				
30				

C4

Z9631DEPJ3410
 MASTER
 マスタ



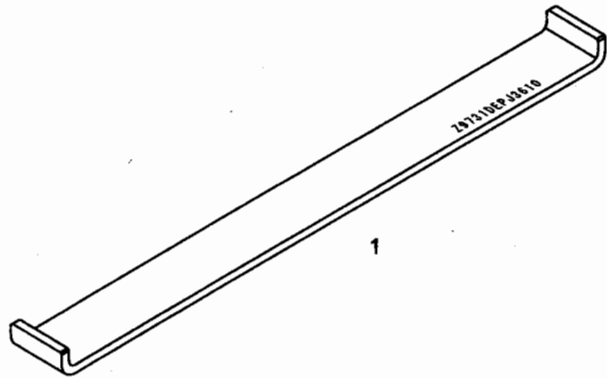
No.	Drg.No. & Coddde No.	Description	QTY	Rating & Remarks
1	A9733DESY3190	BKT, ADJUSTING	1	
2				
3				
4				
5				
6				
7				
8				
9				
10				
11				
12				
13				
14				
15				
16				
17				
18				
19				
20				
21				
22				
23				
24				
25				
26				
27				
28				
29				
30				



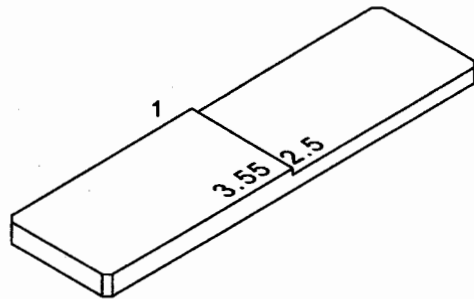
C6

Z9631DEAJ1010
 JIG CENTERING
 ジグ シンダシ

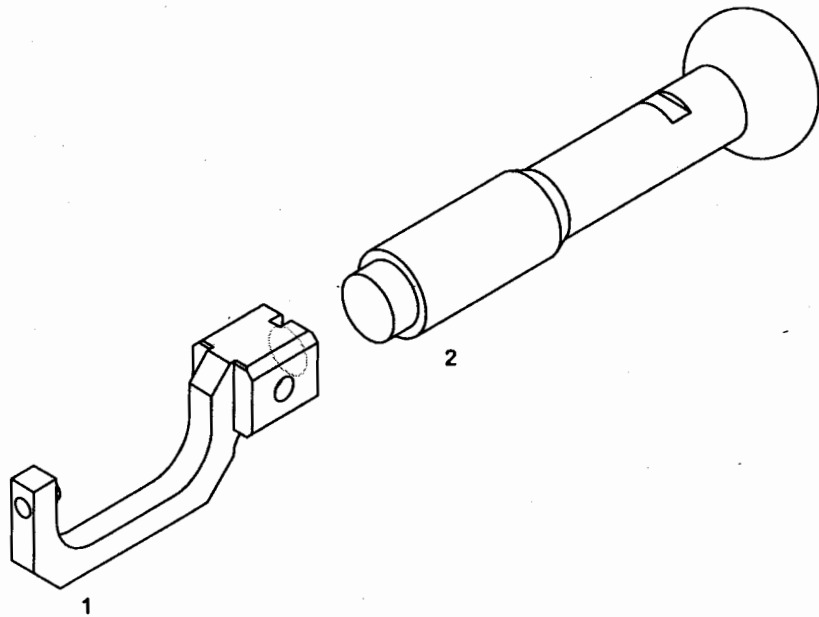
No.	Drg.No. & Coddde No.	Description	QTY	Rating & Remarks
1	Z9631DEAJ1010	JIG, CENTERING	1	
2				
3				
4				
5				
6				
7				
8				
9				
10				
11				
12				
13				
14				
15				
16				
17				
18				
19				
20				
21				
22				
23				
24				
25				
26				
27				
28				
29				
30				



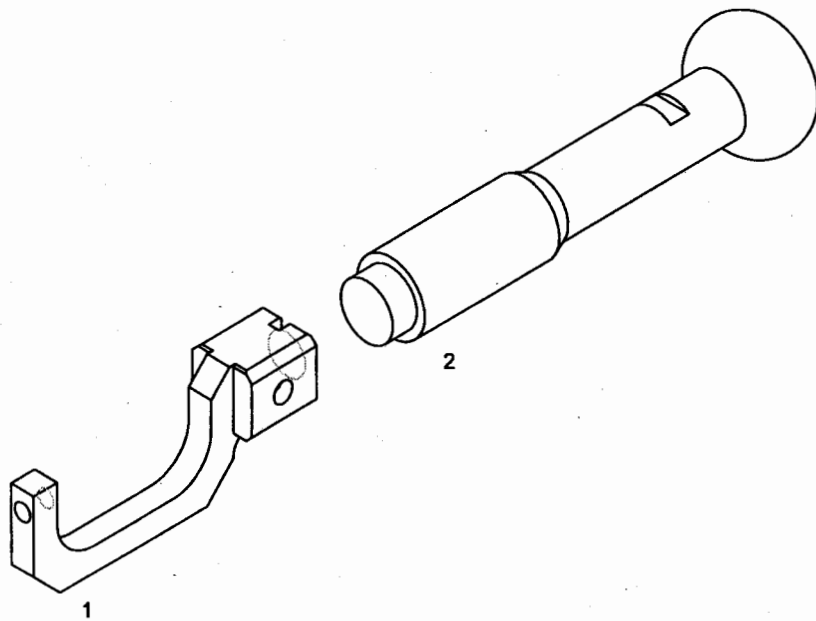
No.	Drg.No. & Coddde No.	Description	QTY	Rating & Remarks
1	Z9731DEPJ3610	PLATE JIG	1	
2				
3				
4				
5				
6				
7				
8				
9				
10				
11				
12				
13				
14				
15				
16				
17				
18				
19				
20				
21				
22				
23				
24				
25				
26				
27				
28				
29				



No.	Drg.No. & Coddde No.	Description	QTY	Rating & Remarks
1	Z9631DEPJ3690	PLATE, JIG	2	
2				
3				
4				
5				
6				
7				
8				
9				
10				
11				
12				
13				
14				
15				
16				
17				
18				
19				
20				
21				
22				
23				
24				
25				
26				
27				
28				
29				
30				

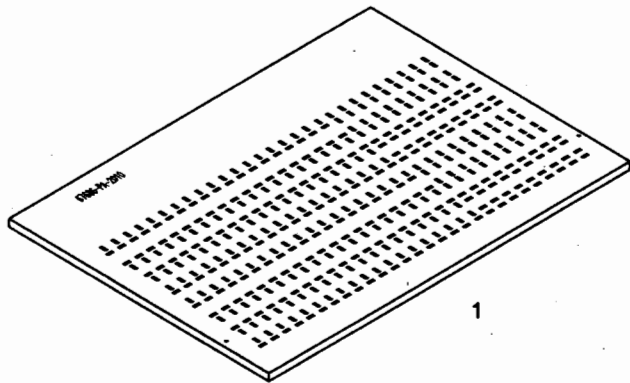


No.	Drg.No. & Coddde No.	Description	QTY	Rating & Remarks
1	Z9734DNPJ1390	HEAD	1	
2		WRENCH	1	120LCK(KANON)
3				
4				
5				
6				
7				
8				
9				
10				
11				
12				
13				
14				
15				
16				
17				
18				
19				
20				
21				
22				
23				
24				
25				
26				
27				
28				
29				



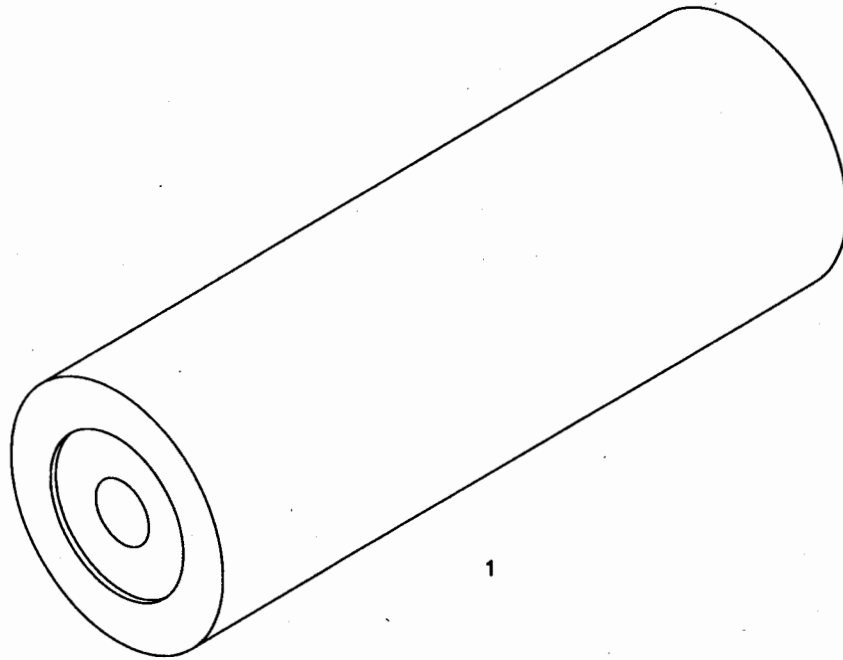
No.	Drg.No. & Coddde No.	Description	QTY	Rating & Remarks
1	Z9734DNPJ1400	HEAD	1	
2		WRENCH	1	120LCK(KANON)
3				
4				
5				
6				
7				
8				
9				
10				
11				
12				
13				
14				
15				
16				
17				
18				
19				
20				
21				
22				
23				
24				
25				
26				
27				
28				
29				
30				

C10 Z9734ADNPJ8050
WRENCH
レンチ



No.	Drg.No. & Coddde No.	Description	QTY	Rating & Remarks
1	67686-PA-2010	BOARD	1	
2				
3				
4				
5				
6				
7				
8				
9				
10				
11				
12				
13				
14				
15				
16				
17				
18				
19				
20				
21				
22				
23				
24				
25				
26				
27				
28				
29				

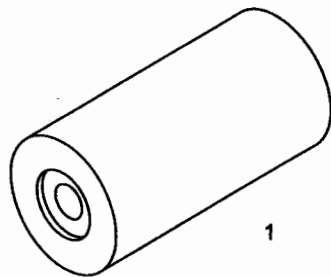
キバン



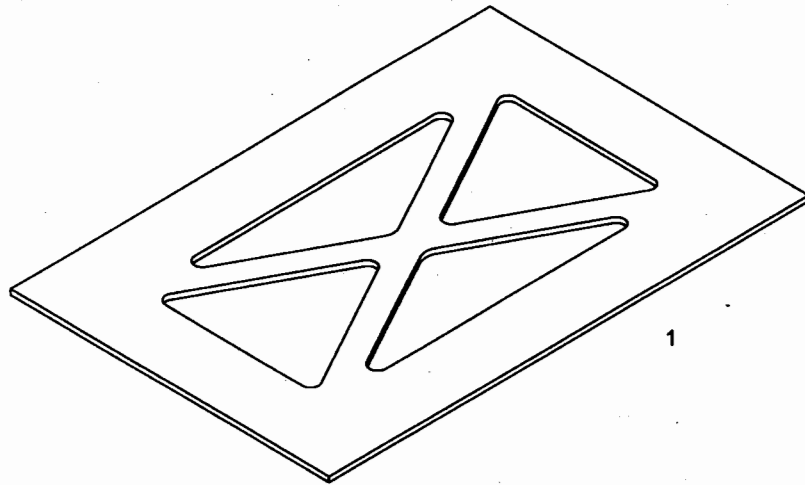
No.	Drg.No. & Coddde No.	Description	QTY	Rating & Remarks
1	A5704DEPJ1240	GAUGE	1	
2				
3				
4				
5				
6				
7				
8				
9				
10				
11				
12				
13				
14				
15				
16				
17				
18				
19				
20				
21				
22				
23				
24				
25				
26				
27				
28				
29				
30				

C12

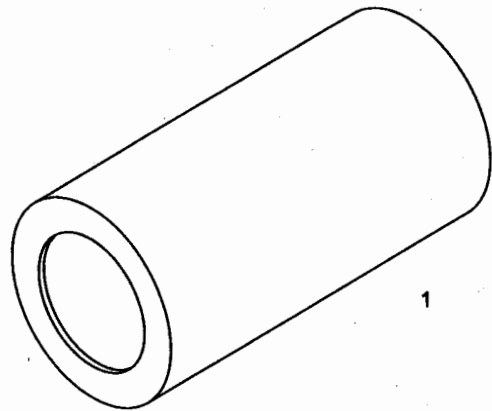
A5704DEPJ1240
GAUGE
ゲージ



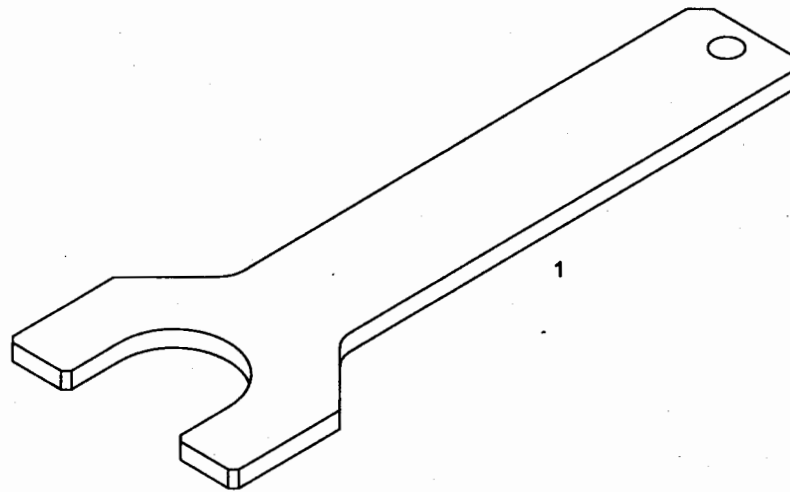
No.	Drg.No. & Coddde No.	Description	QTY	Rating & Remarks
1	A5704DEPJ1250	GAUGE	1	
2				
3				
4				
5				
6				
7				
8				
9				
10				
11				
12				
13				
14				
15				
16				
17				
18				
19				
20				
21				
22				
23				
24				
25				
26				
27				
28				



No.	Drg.No. & Coddde No.	Description	QTY	Rating & Remarks
1	A5704DEPJ1290	PLATE JIG	1	
2				
3				
4				
5				
6				
7				
8				
9				
10				
11				
12				
13				
14				
15				
16				
17				
18				
19				
20				
21				
22				
23				
24				
25				
26				
27				
28				
29				
30				



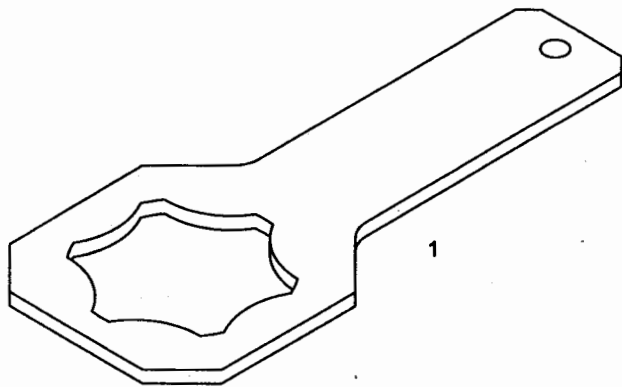
No.	Drg.No. & Coddde No.	Description	QTY	Rating & Remarks
1	Z9531DEPJ0130	BLOCK JIG	1	
2				
3				
4				
5				
6				
7				
8				
9				
10				
11				
12				
13				
14				
15				
16				
17				
18				
19				
20				
21				
22				
23				
24				
25				
26				
27				
28				
29				



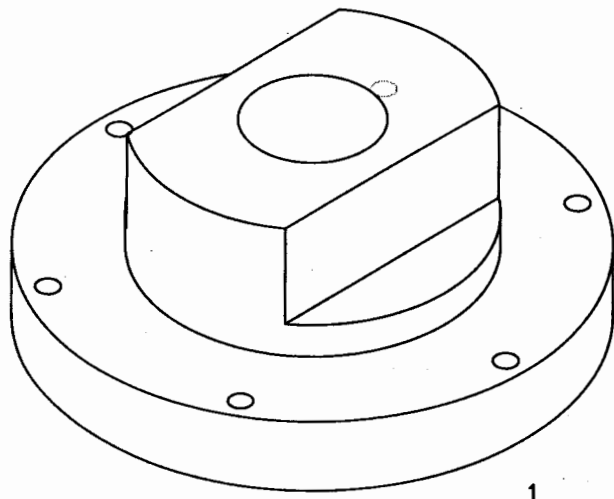
No.	Org.No. & Coddde No.	Description	QTY	Rating & Remarks
1	Z9631DEPJ1930	TOOL	2	
2				
3				
4				
5				
6				
7				
8				
9				
10				
11				
12				
13				
14				
15				
16				
17				
18				
19				
20				
21				
22				
23				
24				
25				
26				
27				
28				
29				
30				

C16

Z9631DEPJ1930
TOOL
コウグ



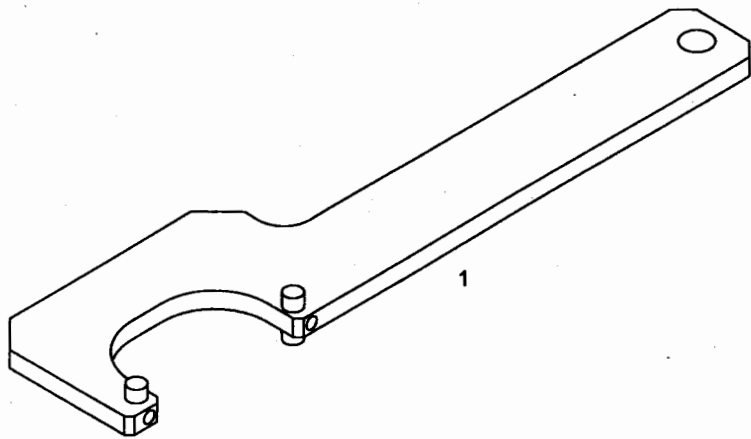
No.	Drg.No. & Coddde No.	Description	QTY	Rating & Remarks
1	Z9631DEPJ1900	TOOL	1	
2				
3				
4				
5				
6				
7				
8				
9				
10				
11				
12				
13				
14				
15				
16				
17				
18				
19				
20				
21				
22				
23				
24				
25				
26				
27				
28				



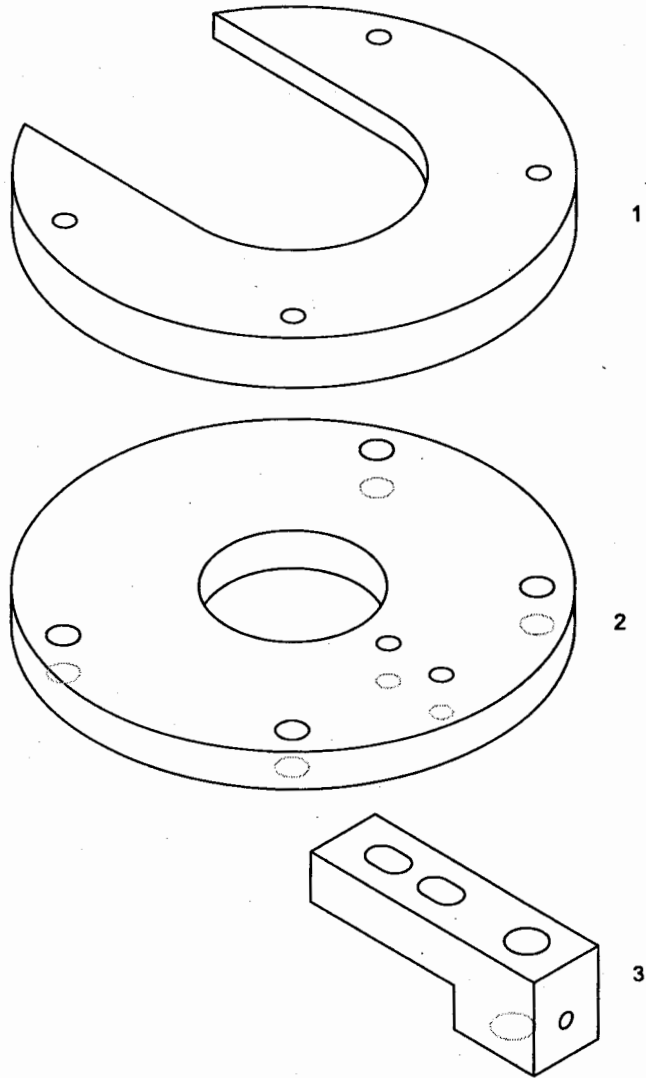
No.	Drg.No. & Coddde No.	Description	QTY	Rating & Remarks
1	Z9631DEPJ1910	JIG	1	
2				
3				
4				
5				
6				
7				
8				
9				
10				
11				
12				
13				
14				
15				
16				
17				
18				
19				
20				
21				
22				
23				
24				
25				
26				
27				
28				
29				
30				

C18

Z9631DEPJ1910
JIG
ジグ



No.	Drg.No. & Coddde No.	Description	QTY	Rating & Remarks
1	Z9631DEPJ1920	JIG	1	
2				
3				
4				
5				
6				
7				
8				
9				
10				
11				
12				
13				
14				
15				
16				
17				
18				
19				
20				
21				
22				
23				
24				
25				
26				
27				
28				

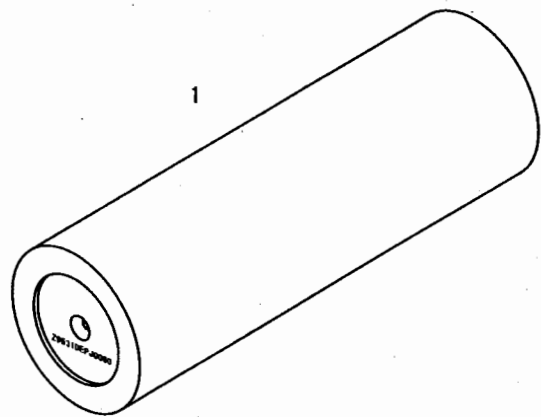


No.	Drg.No. & Coddde No.	Description	QTY	Rating & Remarks
1	Z9631DEPJ1880	JIG	1	
2	Z9631DEPJ1870	JIG	1	
3	Z9631DEPJ1990	JIG	1	
4				
5				
6				
7				
8				
9				
10				
11				
12				
13				
14				
15				
16				
17				
18				
19				
20				
21				
22				
23				
24				
25				
26				
27				
28				
29				
30				

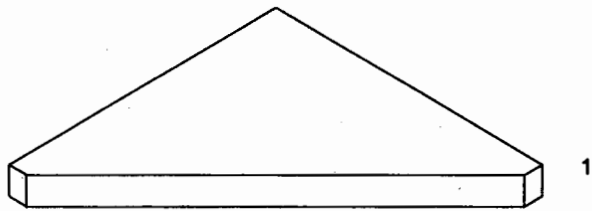
C20

Z9631ADEPJ8090

JIG
ジグ



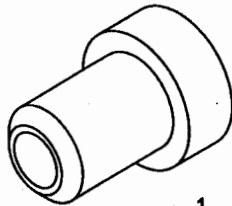
No.	Drg.No. & Coddde No.	Description	QTY	Rating & Remarks
1	Z9531DEPJ0060	GAUGE, CENTERING	1	
2				
3				
4				
5				
6				
7				
8				
9				
10				
11				
12				
13				
14				
15				
16				
17				
18				
19				
20				
21				
22				
23				
24				
25				
26				
27				
28				
29				



No.	Drg.No. & Coddde No.	Description	QTY	Rating & Remarks
1	Z9531DEPJ1080	BASE JIG	1	
2				
3				
4				
5				
6				
7				
8				
9				
10				
11				
12				
13				
14				
15				
16				
17				
18				
19				
20				
21				
22				
23				
24				
25				
26				
27				
28				
29				
30				

C22

Z9531DEPJ1080
BASE JIG
ベース ジグ



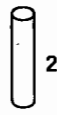
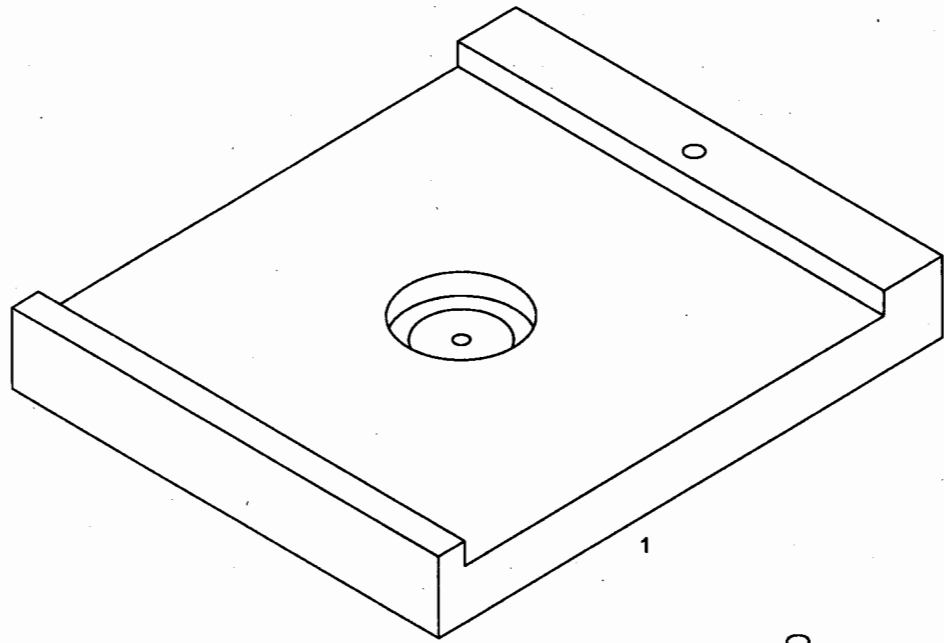
1

No.	Drg.No. & Coddde No.	Description	QTY	Rating & Remarks
1	Z9631DEPJ3530	PIN LOCATING	1	
2				
3				
4				
5				
6				
7				
8				
9				
10				
11				
12				
13				
14				
15				
16				
17				
18				
19				
20				
21				
22				
23				
24				
25				
26				
27				
28				
29				
30				

C23

Z9631DEPJ3530
PIN LOCATING

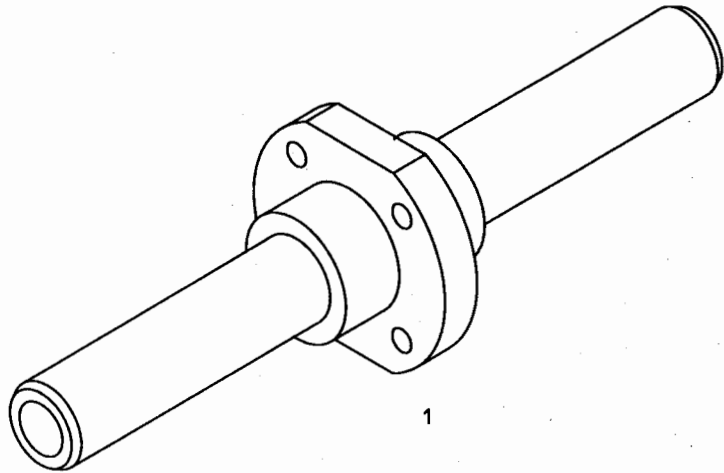
51181DEP30000



No.	Drg.No. & Coddde No.	Description	QTY	Rating & Remarks
1	Z9631DEPJ3540	PLATE	1	
2		PIN, PARALLEL		'03X014
3				
4				
5				
6				
7				
8				
9				
10				
11				
12				
13				
14				
15				
16				
17				
18				
19				
20				
21				
22				
23				
24				
25				
26				
27				
28				
29				
30				

C24

Z9631DEPJ3540
PLATE
プレート



1

No.	Drg.No. & Coddde No.	Description	QTY	Rating & Remarks
1	Z9731DEPJ0530	BAR TEST	1	
2				
3				
4				
5				
6				
7				
8				
9				
10				
11				
12				
13				
14				
15				
16				
17				
18				
19				
20				
21				
22				
23				
24				
25				
26				
27				
28				
29				
30				

C25

Z9731DEPJ0530

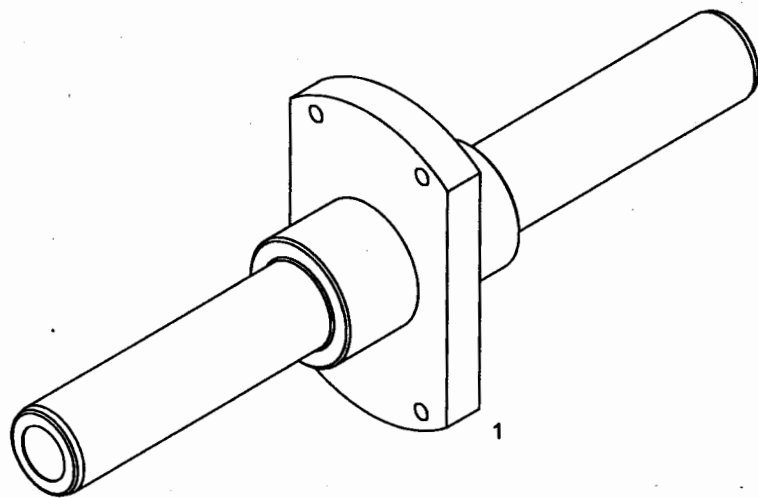
BAR TEST

C25

Z9731DEPJ0540
BAR TEST

C26

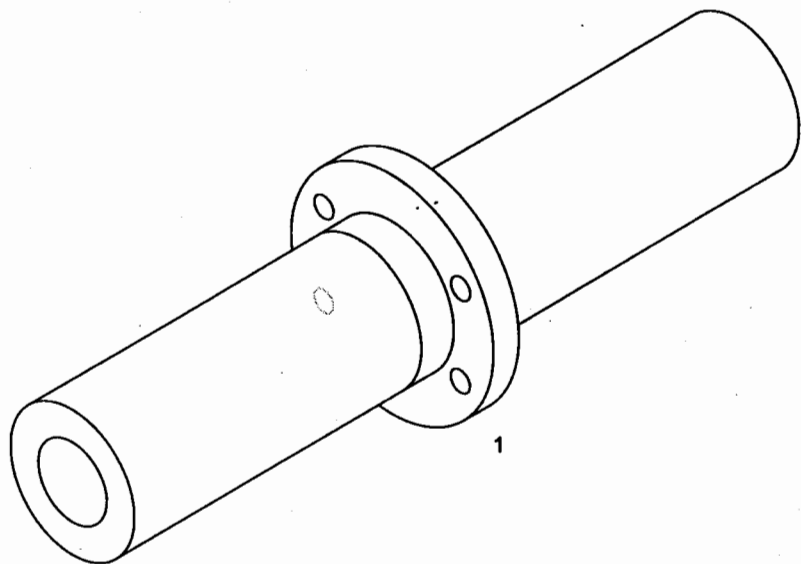
Z9731DEPJ0540



C26

Z9731DEPJ0540
BAR TEST
バー テスト

No.	Org.No. & Coddde No.	Description	QTY	Rating & Remarks
1	Z9731DEPJ0540	BAR TEST	1	
2				
3				
4				
5				
6				
7				
8				
9				
10				
11				
12				
13				
14				
15				
16				
17				
18				
19				
20				
21				
22				
23				
24				
25				
26				
27				
28				
29				
30				



No.	Drg.No. & Coddde No.	Description	QTY	Rating & Remarks
1	Z9731DEPJ0510	JIG CENTERING	1	
2				
3				
4				
5				
6				
7				
8				
9				
10				
11				
12				
13				
14				
15				
16				
17				
18				
19				
20				
21				
22				
23				
24				
25				
26				
27				
28				
29				
30				

C27

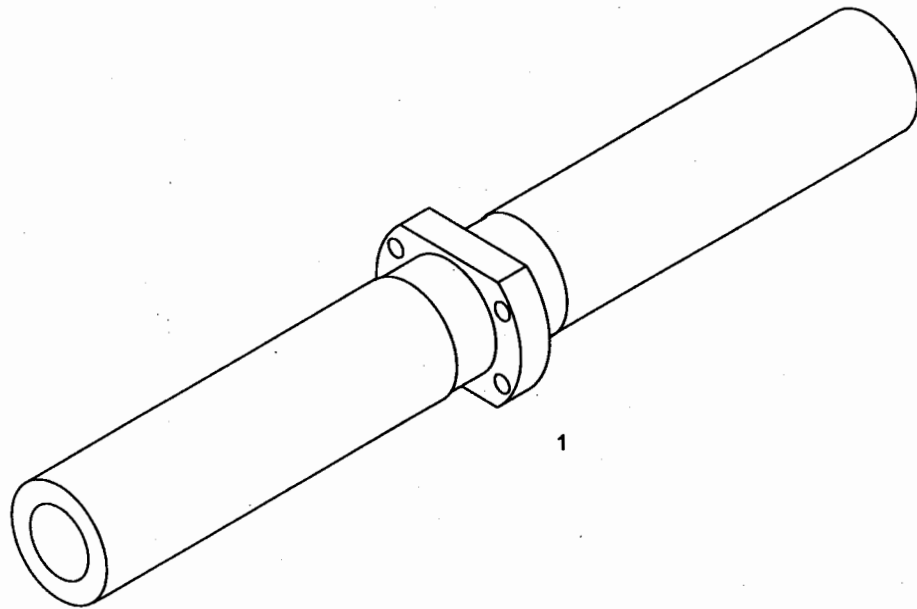
Z9731DEPJ0510
JIG CENTERING

C27

JIG CENTERING

ジグ シンダシ

BV6 1E21



1

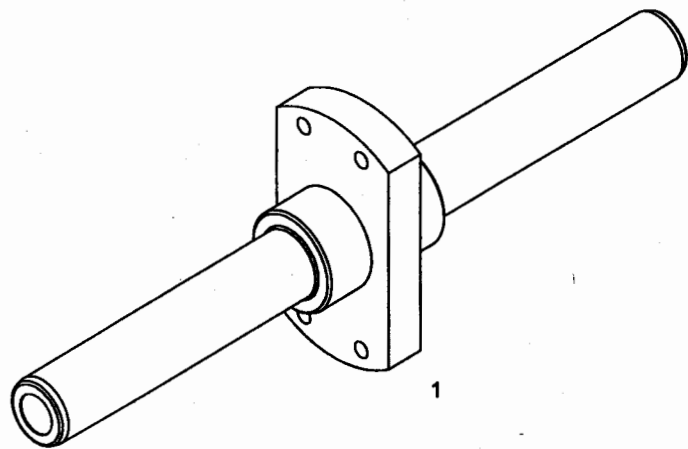
C28

Z9731DEPJ0520

JIG CENTERING

ジグ シンダシ

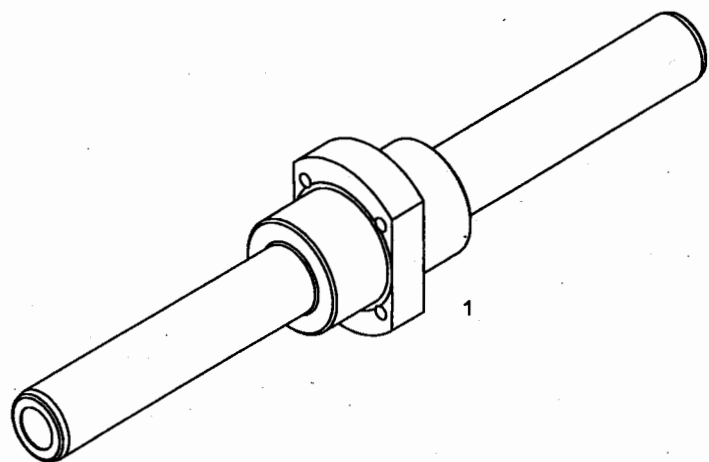
No.	Drg.No. & Coddde No.	Description	QTY	Rating & Remarks
1	Z9731DEPJ0520	JIG CENTERING	1	
2				
3				
4				
5				
6				
7				
8				
9				
10				
11				
12				
13				
14				
15				
16				
17				
18				
19				
20				
21				
22				
23				
24				
25				
26				
27				
28				
29				
30				



No.	Drg.No. & Coddde No.	Description	QTY	Rating & Remarks
1	Z9731DEPJ1780	BAR TEST	2	
2				
3				
4				
5				
6				
7				
8				
9				
10				
11				
12				
13				
14				
15				
16				
17				
18				
19				
20				
21				
22				
23				
24				
25				
26				
27				
28				
29				
30				

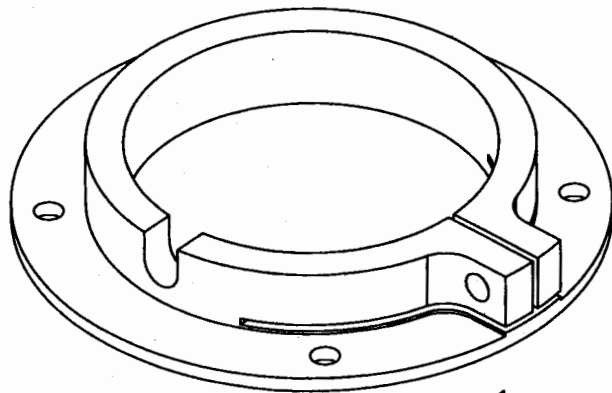
C29

Z9731DEPJ1780
BAR TEST



No.	Dwg.No. & Code No.	Description	QTY	Rating & Remarks
1	Z9731DEPJ4230	BAR TEST	2	
2				
3				
4				
5				
6				
7				
8				
9				
10				
11				
12				
13				
14				
15				
16				
17				
18				
19				
20				
21				
22				
23				
24				
25				
26				
27				
28				
29				
30				

C30 Z9731DEPJ4230
BAR TEST
バー テスト

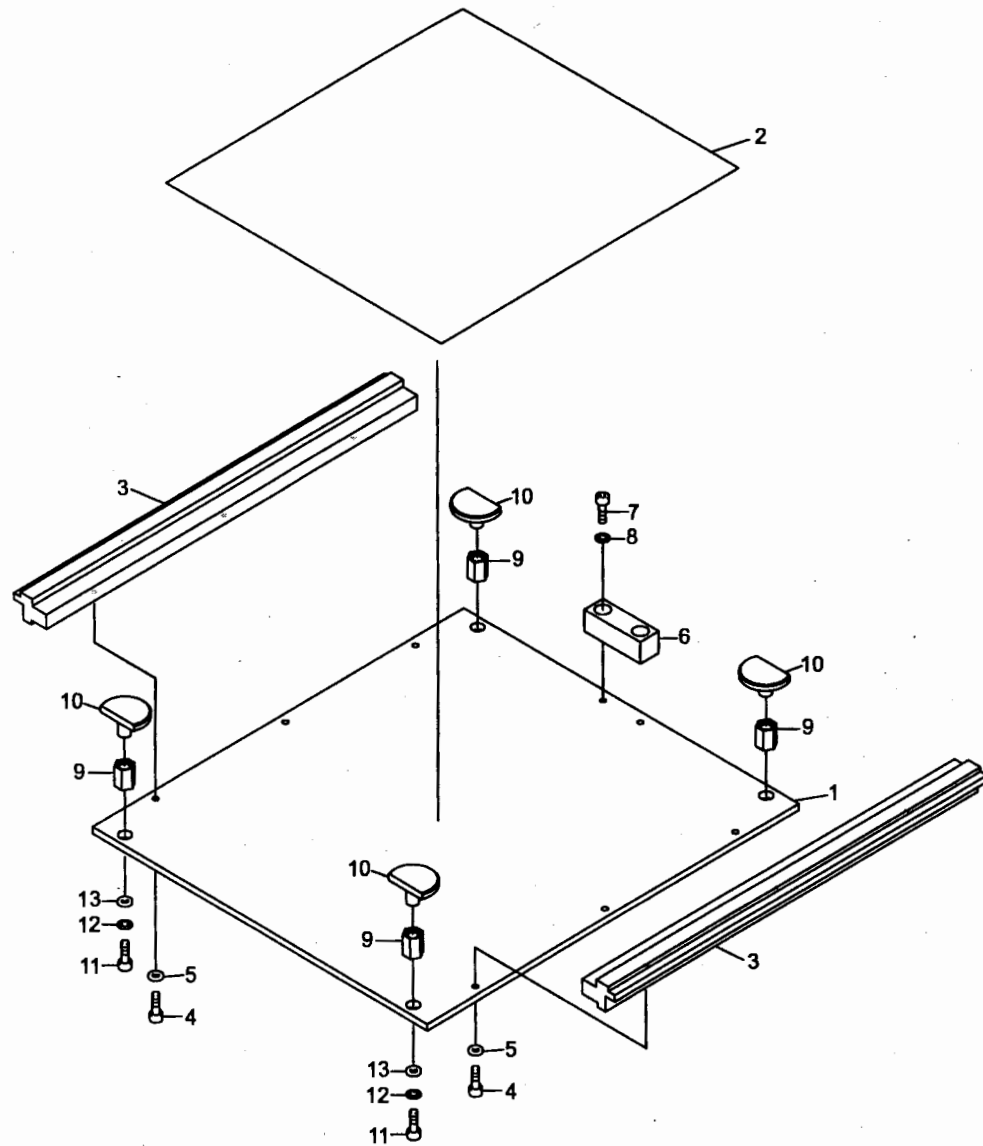


1

No.	Drg.No. & Coddde No.	Description	QTY	Rating & Remarks
1	Z9631DEPJ2160	BKT	1	
2				
3				
4				
5				
6				
7				
8				
9				
10				
11				
12				
13				
14				
15				
16				
17				
18				
19				
20				
21				
22				
23				
24				
25				
26				
27				
28				
29				
30				

C31

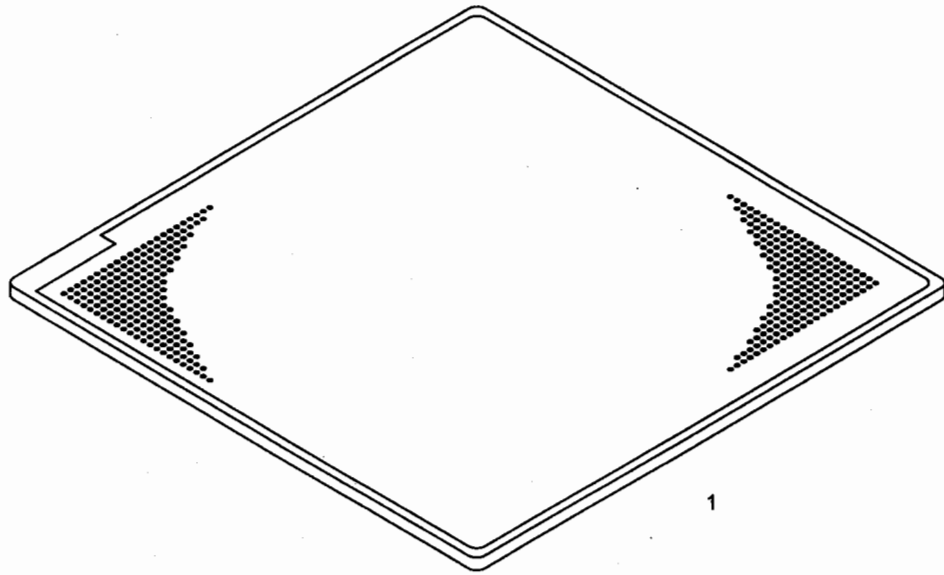
Z9631DEPJ2160
BKT



No.	Drq.No. & Coddde No.	Description	QTY	Rating & Remarks
1	9631DEPJ2181	JIG INSPECTION	1	
2	Z9731DEPJ0010	SEAL FELT	1	
3	Z9631DEPJ2170	JIG INSPECTION	2	
4	H5267A	BOLT, HEX SOCKET	6	M02X008
5	W1039A	WASHER, FLAT	6	1W-2
6	Z9631DEPJ2230	STOPPER	1	
7	H5276A	BOLT, HEX SOCKET	2	M3X10
8	W1010A	WASHER, CONICAL	2	M-3-L
9	Z9631DEPJ2220	NUT STOPPER	4	
10	Z9631DEPJ2210	SCREW CLAMP	4	
11	H52966	BOLT, HEX SOCKET	4	M05X006
12	W1012A	WASHER, CONICAL	4	M-5-L
13	W1050A	WASHER, FLAT	4	1W-5
14				
15				
16				
17				
18				
19				
20				
21				
22				
23				
24				
25				
26				
27				
28				
29				
30				

C32

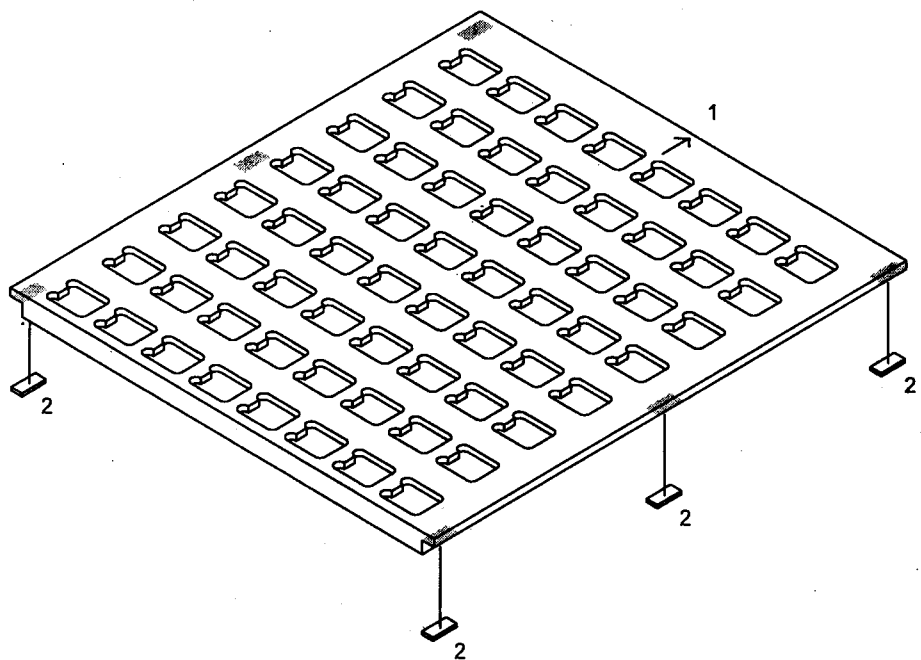
Z9631ADEPJ8144
 JIG INSPECTION
 ジグケンサ



No.	Drg.No. & Coddde No.	Description	QTY	Rating & Remarks
1	Z9731DEPJ3640	GAUGE MASTER	1	
2				
3				
4				
5				
6				
7				
8				
9				
10				
11				
12				
13				
14				
15				
16				
17				
18				
19				
20				
21				
22				
23				
24				
25				
26				
27				
28				
29				
30				

C33

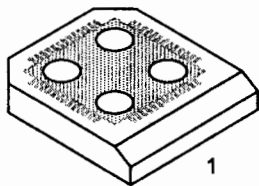
Z9731DEPJ3640
GAUGE MASTER



No.	Drg.No. & Coddde No.	Description	QTY	Rating & Remarks
1	Z9734DNPJ1191	JIG	1	
2	Z9734DNPJ1211	SPACER	1	
3				
4				
5				
6				
7				
8				
9				
10				
11				
12				
13				
14				
15				
16				
17				
18				
19				
20				
21				
22				
23				
24				
25				
26				
27				
28				
29				
30				

C34

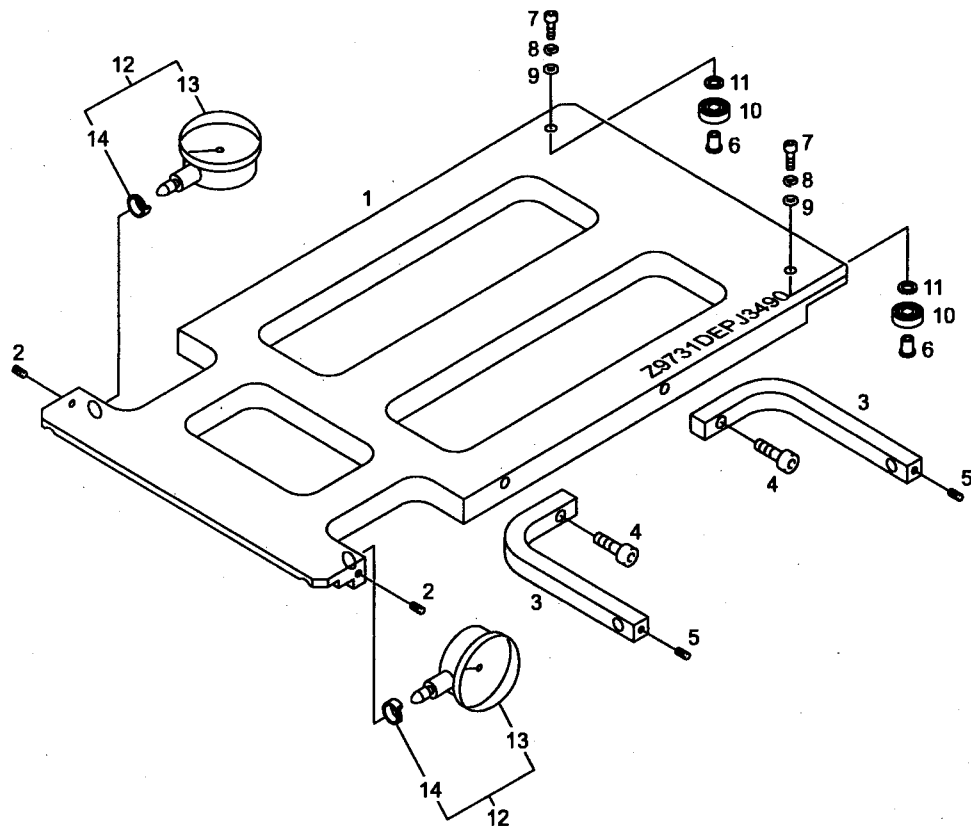
Z9734ADNPJ8021
JIG
ジグ



No.	Drg.No. & Coddde No.	Description	QTY	Rating & Remarks
1	Z9734DNPJ0022	GLASS CHIP	32	
2				
3				
4				
5				
6				
7				
8				
9				
10				
11				
12				
13				
14				
15				
16				
17				
18				
19				
20				
21				
22				
23				
24				
25				
26				
27				
28				
29				
30				

C36

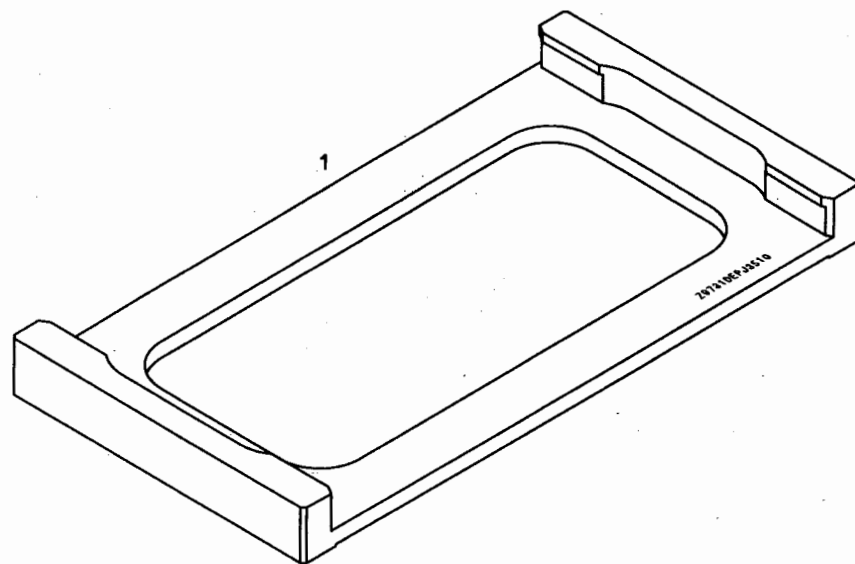
Z9734DNPJ0022
GLASS CHIP



No.	Drg.No. & Coddde No.	Description	QTY	Rating & Remarks
1	Z9731DEPJ3490	PLATE	1	
2	N4021A	SCREW, HEX SOCKET SET	2	M03X006
3	Z9731DEPJ3500	BAR	2	
4	H5301A	BOLT, HEX SOCKET	2	M05X018
5	N4021A	SCREW, HEX SOCKET SET	2	M03X006
6	Y3602DETR1651	PIN	2	
7	H5274A	BOLT, HEX SOCKET	2	M03X006
8	W1021A	WASHER, LOCK	2	3M/M
9	W1042A	WASHER, FLAT	2	4W-3
10	DEPJ	BEARING	2	R-1350ZZ
11	DEPJ	SHIM	2	LRB5-0.2
12	Z9731ADEPJ8121	GAUGE, DIAL	2	
13	DEPJ	GAUGE, DIAL	2	47F
14	Z9731DEPJ3630	COLLAR	2	
15				
16				
17				
18				
19				
20				
21				
22				
23				
24				
25				
26				
27				
28				
29				
30				

C37

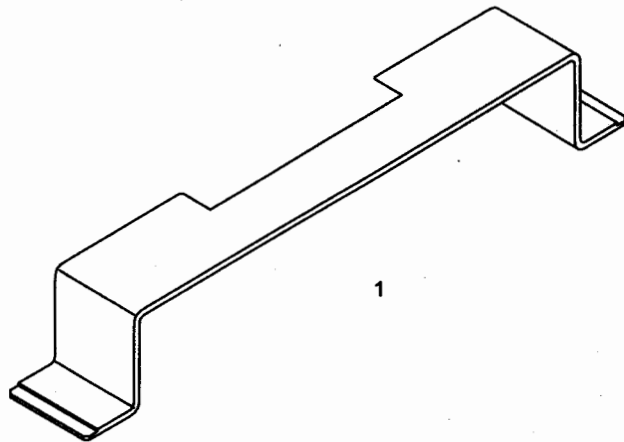
Z9731ADEPJ8131
JIG
ジゲ



No.	Drg.No. & Coddde No.	Description	QTY	Rating & Remarks
1	Z9731DEPJ3510	GAUGE, MASTER	1	
2				
3				
4				
5				
6				
7				
8				
9				
10				
11				
12				
13				
14				
15				
16				
17				
18				
19				
20				
21				
22				
23				
24				
25				
26				
27				
28				
29				
30				

C38

Z9731DEPJ3510
GAUGE MASTER

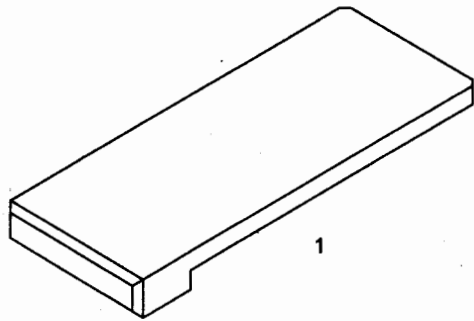


1

No.	Drg.No. & Coddde No.	Description	QTY	Rating & Remarks
1	Z9631DEPJ3210	GAUGE MASTER	1	
2				
3				
4				
5				
6				
7				
8				
9				
10				
11				
12				
13				
14				
15				
16				
17				
18				
19				
20				
21				
22				
23				
24				
25				
26				
27				
28				
29				
30				

C39

Z9631DEPJ3210
GAUGE MASTER
ゲージ マスタ



No.	Drg.No. & Coddde No.	Description	QTY	Rating & Remarks
1	Z9631DEPJ3220	GAUGE	1	
2				
3				
4				
5				
6				
7				
8				
9				
10				
11				
12				
13				
14				
15				
16				
17				
18				
19				
20				
21				
22				
23				
24				
25				
26				
27				
28				
29				
30				

C40

Z9631DEPJ3220
GAUGE